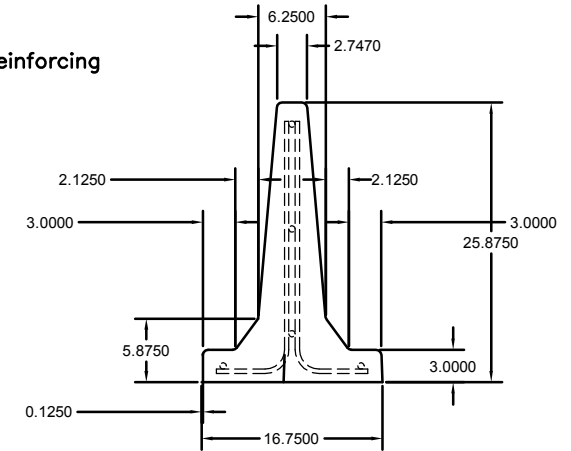
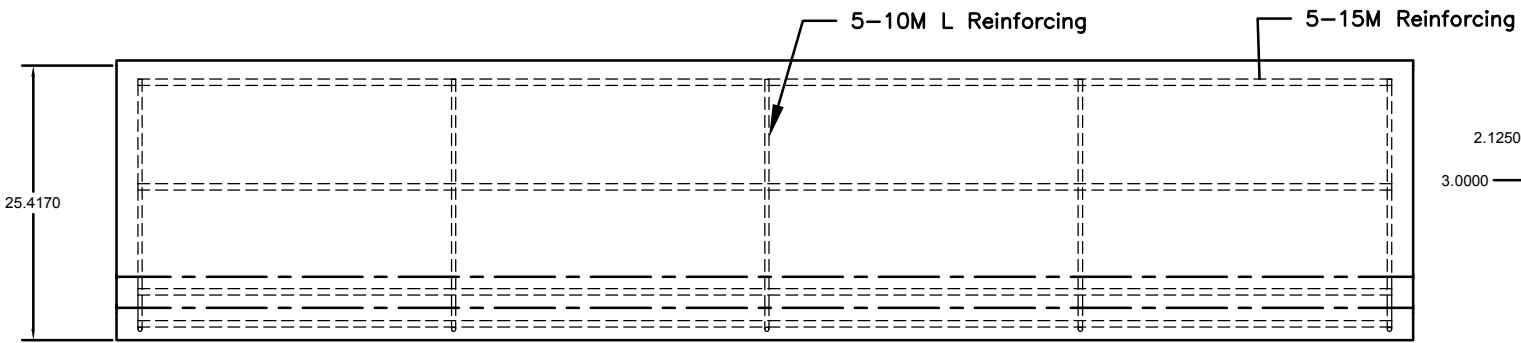
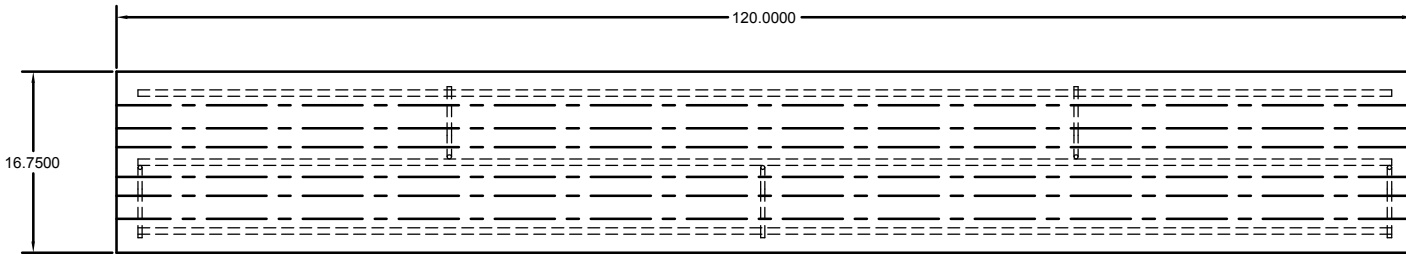
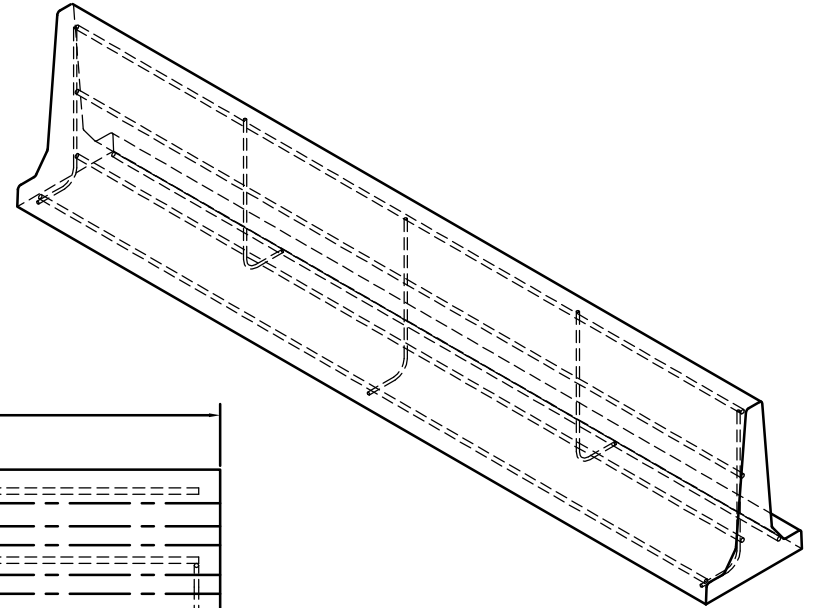


Notes:

1. Compressive Strength @ 28 Days to be 25MPa or 3625 psi.
2. Finish: Smooth, Natural Gray Concrete
3. 1550Lbs. (703Kg) per unit

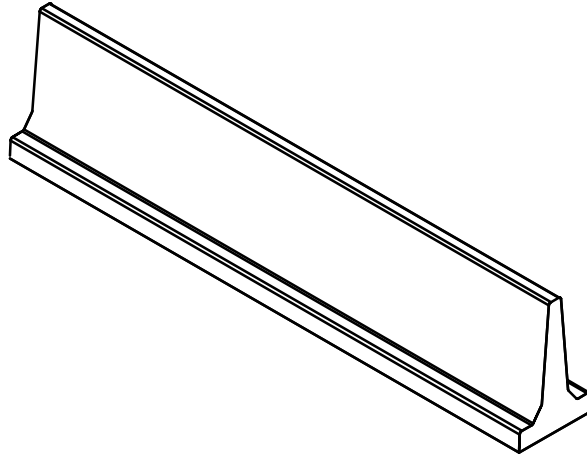


 152 Brandt Street, Steinbach, MB R5G 0R2 T (204) 326 3445 or 1 800 461 2278 F (204) 326 5915 barkmanconcrete.com	CUSTOMER		PART NUMBER					
	<b>barkman STD PRODUCT</b>		-					
	PROJECT		INITIALS		MM/DD/YYYY			
	<b>BARRIER CURB (120"x26")</b>		DP		05/30/2013			
TITLE		CHECKED BY		DATE				
		<b>PRODUCT DETAILS</b>		WEIGHT (lbs)	SCALE	PAPER SIZE	SHT NO.	REV. #
				N.T.S.	8 1/2 X 11 (A)	<b>1</b>	<b>0</b>	

THE INFORMATION CONTAINED IN THIS DRAWING IS THE SOLE PROPERTY OF BARKMAN CONCRETE LTD. ANY REPRODUCTION IN PART OR AS A WHOLE WITHOUT THE WRITTEN PERMISSION OF BARKMAN CONCRETE LTD. IS PROHIBITED.

# barkman™

## BARRIER CURB (120x26)



Product Code: 106470  
Size: 120" L x 16<sup>3</sup>/<sub>4</sub>" W x 26" H  
Weight: 1570 lbs.  
Packaging: sold separately  
Maintenance: Occasionally wash with mild detergent and water  
Material:  
1) Concrete  
- 1 barrier curb

### **CONCRETE**

Size: 120" L x 16<sup>3</sup>/<sub>4</sub>" W x 26" H  
Weight: 1680 lb.  
Color: Natural Gray with smooth finish  
Material:  
1) Concrete  
- minimum 3500 psi compressive strength concrete  
- thickness ranges from 2<sup>3</sup>/<sub>4</sub>" at top to 16<sup>3</sup>/<sub>4</sub>" at bottom  
- each curb comes with two <sup>3</sup>/<sub>4</sub>" nuts cast into the concrete for curb placement