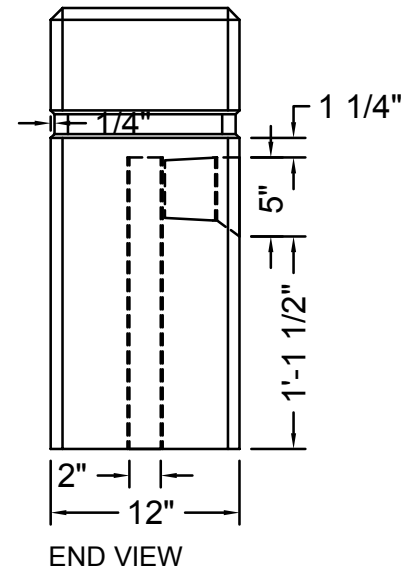
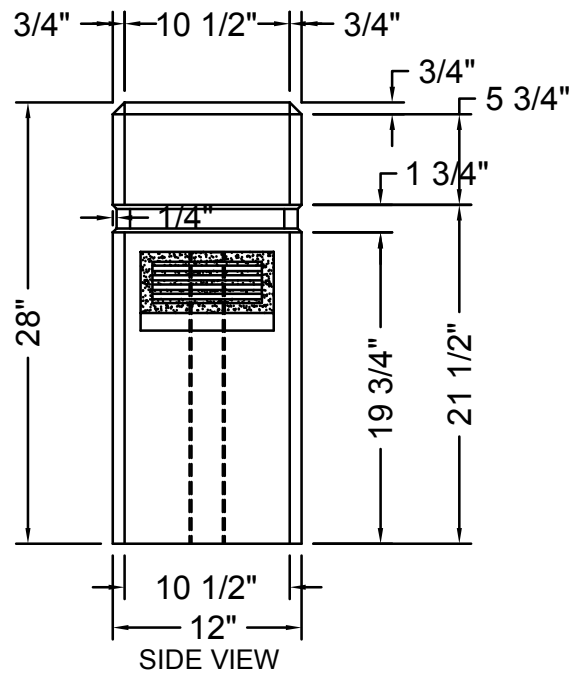



12" x 12" x 28" SQUARE BOLLARD w/ LIGHT

PRODUCT # 45-99016-11
 APPROX. WEIGHT OF BOLLARD = 340 lbs.



 152 Brandt Street, Steinbach, MB R5G 0R2 T (204) 326 3445 or 1 800 461 2278 F (204) 326 5915 barkmanconcrete.com	CUSTOMER		PART NUMBER				
	barkman STD PRODUCT		-				
	PROJECT		INITIALS				
	12" SQUARE BOLLARD WITH LIGHT		DRAWN BY		MM/DD/YYYY		
	TITLE		CHECKED BY		DATE		
THE INFORMATION CONTAINED IN THIS DRAWING IS THE SOLE PROPERTY OF BARKMAN CONCRETE LTD. ANY REPRODUCTION IN PART OR AS A WHOLE WITHOUT THE WRITTEN PERMISSION OF BARKMAN CONCRETE LTD. IS PROHIBITED.		PRODUCT DETAILS		DATE			
		WEIGHT (lbs)		SCALE		PAPER SIZE	
		N.T.S.		8 1/2 X 11 (A)		SHT NO. 1	
				REV. # 0			