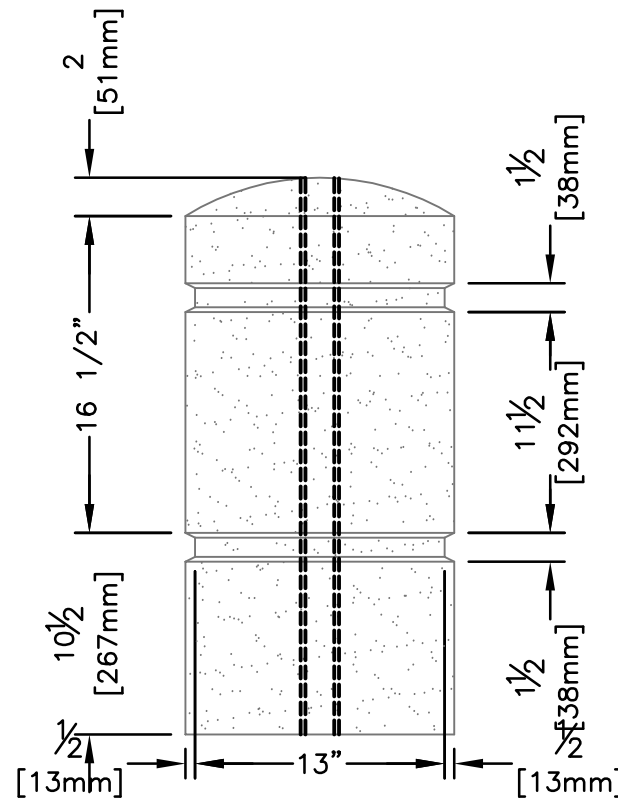
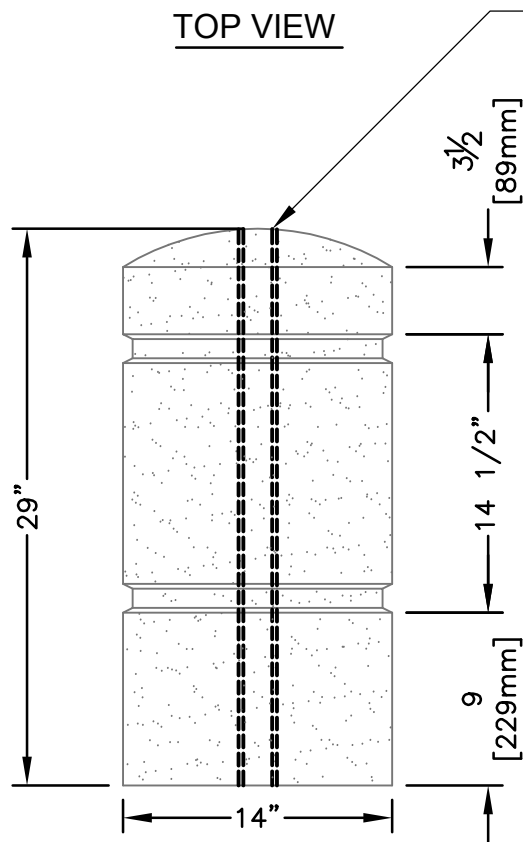


**TOP VIEW**

- NOTES**  
 Concrete  
 - Cement to be Type 10 Normal Portland  
 - Compressive Strength to be 25 MPa or 3625 psi.  
 Finish

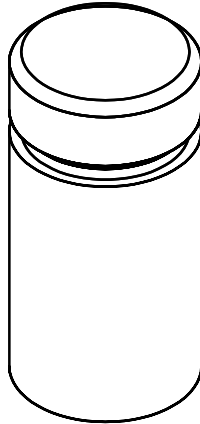
$\phi 2$ "I.D. PIPE TO ACCEPT  
 $\phi 2$ "O.D. PIPE



|   |   |  |                              |  |                              |                          |
|---|---|--|------------------------------|--|------------------------------|--------------------------|
| <p>152 Brandt Street, Steinbach, MB R5G 0R2<br/>       T (204) 326 3445 or 1 800 461 2278 F (204) 326 5915<br/>       barkmanconcrete.com</p>   | CUSTOMER<br><b>barkman STD PRODUCT</b>                |  | PART NUMBER<br>-             |  |                              |                          |
|   | PROJECT<br><b><math>\phi 14</math>" ROUND BOLLARD</b> |  | DRAWN BY<br>DP               |  | INITIALS<br>DATE             | MM/DD/YYYY<br>05/24/2013 |
| THE INFORMATION CONTAINED IN THIS DRAWING IS THE SOLE PROPERTY OF BARKMAN CONCRETE LTD. ANY REPRODUCTION IN PART OR AS A WHOLE WITHOUT THE WRITTEN PERMISSION OF BARKMAN CONCRETE LTD. IS PROHIBITED. | TITLE<br><b>PRODUCT DETAILS</b>                       |  | CHECKED BY<br>DATE           |  | SHT NO. REV. #<br><b>1 0</b> |                          |
|   | WEIGHT (lbs)<br>SCALE<br>N.T.S.                       |  | PAPER SIZE<br>8 1/2 X 11 (A) |  | SHT NO. REV. #<br><b>1 0</b> |                          |
|   | WEIGHT (lbs)<br>SCALE<br>N.T.S.                       |  | PAPER SIZE<br>8 1/2 X 11 (A) |  | SHT NO. REV. #<br><b>1 0</b> |                          |

# barkman™

## Ø14" ROUND BOLLARD



Product Code: 45-99000

Size: 14"Ø x 29"H

Weight: 375 lb.

Packaging: Palletized (dependent on order)

Maintenance: Occasionally wash with mild detergent and water

Color: Natural Grey with Tan Pebblestone exposed aggregate finish

Material:

- 1) Concrete
  - 1 concrete bollard

### **CONCRETE**

Size: 14" Ø x 29"H

Weight: 375 lb.

Colors:

- Natural Gray with Tan Pebblestone exposed aggregate finish
- Natural Gray with smooth finish

Material:

- 1) Concrete:
  - minimum 3500 psi compressive strength concrete

Notes: pebblestone aggregate is integral throughout bollard