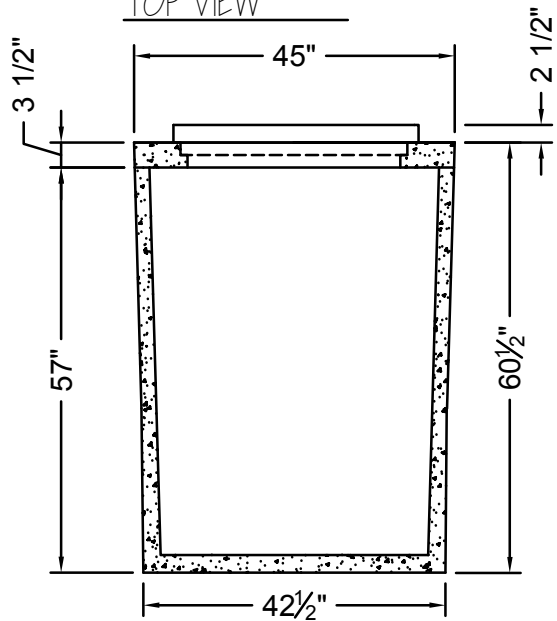


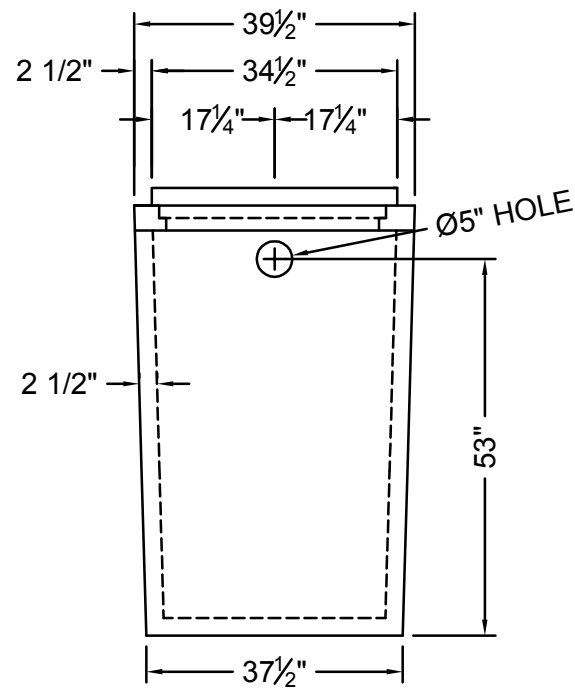
TOP VIEW




SIDE PROFILE A-A

NOTES:

- CONCRETE TO BE 4000psi AT 28 DAYS
- TYPE 10 CEMENT
- INLET AND OUTLET TO BE FITTED WITH 4" THREADED COUPLINGS.
- TANK TOP TO BE FITTED WITH Ø32" LID COMPLETE WITH Ø10" OPENING
- REINFORCING STEEL TO BE 1432 GRADE 40 KSI
- MAXIMUM AGGREGATE SIZE - 1/2"
- NOTCHES 4 CORNERS FOR LIFTING WITH CABLES



 152 Brandt Street, Steinbach, MB R5G 0R2 T (204) 326 3445 or 1 800 461 2278 F (204) 326 5915 barkmanconcrete.com	CUSTOMER		PART NUMBER				
	barkman STD PRODUCT		110890				
	PROJECT		INITIALS				
	260 GALLON PUMP OUT CHAMBER		MM/DD/YYYY				
TITLE		DRAWN BY		DATE			
PRODUCT DETAILS		DST		06/11/2013			
THE INFORMATION CONTAINED IN THIS DRAWING IS THE SOLE PROPERTY OF BARKMAN CONCRETE LTD. ANY REPRODUCTION IN PART OR AS A WHOLE WITHOUT THE WRITTEN PERMISSION OF BARKMAN CONCRETE LTD. IS PROHIBITED.		CHECKED BY		DATE			
		WEIGHT (lbs)		SCALE		PAPER SIZE	
		2,200		N.T.S.		8 1/2 X 11 (A)	
		SHT NO.		REV. #			
		1		0			