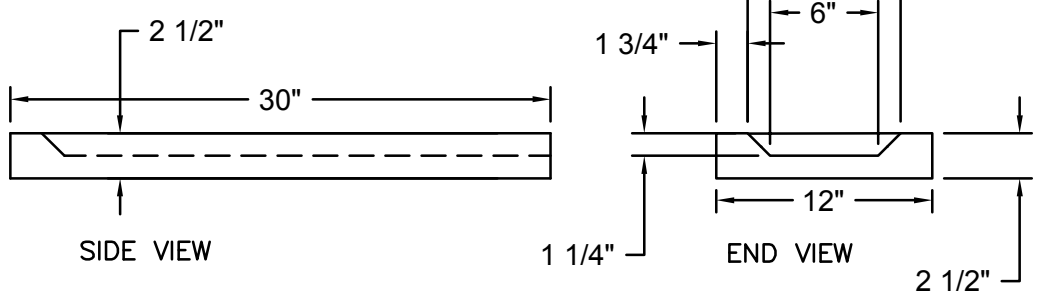


SPLASH PAD
3D SHOWN
N.T.S.



SPLASH PAD AVAILABLE
IN SMOOTH FINISH

30" SPLASH PAD (2 1/2" THICK)

MODEL #45-40030
APPROXIMATE WEIGHT OF SPLASH PAD = 61lbs.

barkman
152 Brandt Street, Steinbach, MB R5G 0R2
T (204) 326 3445 or 1 800 461 2278 F (204) 326 5915
barkmanconcrete.com

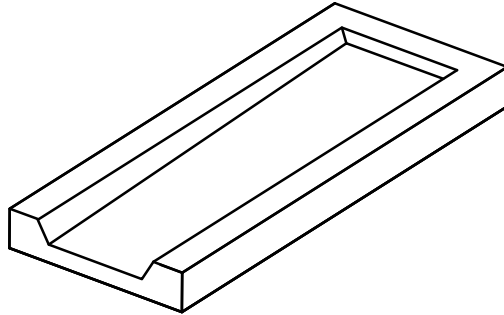
CUSTOMER	barkman STD PRODUCT
PROJECT	30" NATURAL SPLASHPAD
TITLE	PRODUCT DETAILS

PART NUMBER				-			
	INITIALS		MM/DD/YYYY				
DRAWN BY	DST	DATE	06/25/2013				
CHECKED BY		DATE					
WEIGHT (lbs)	SCALE	PAPER SIZE	SHT NO.	REV. #			
	N.T.S.	8 1/2 X 11 (A)	1	0			

THE INFORMATION CONTAINED IN THIS DRAWING IS THE SOLE PROPERTY OF BARKMAN CONCRETE LTD. ANY REPRODUCTION IN PART OR AS A WHOLE WITHOUT THE WRITTEN PERMISSION OF BARKMAN CONCRETE LTD. IS PROHIBITED.

barkman™

30" NATURAL SPLASHPAD



Product Code:

- 105604 (smooth finish)

Size: 30" L x 12" W x 2 $\frac{1}{2}$ " H

Weight: 61 lb.

Packaging: Palletized (15 sold separately)

Maintenance: Occasionally wash with mild detergent and water

Color:

- Natural Gray with smooth finish

Material:

- 1) Concrete
 - minimum 3500 psi compressive strength concrete
 - thickness: 4"
- 2) Reinforcement
 - 10 mm rebar

Notes: pebblestone aggregate is integral throughout splash pad