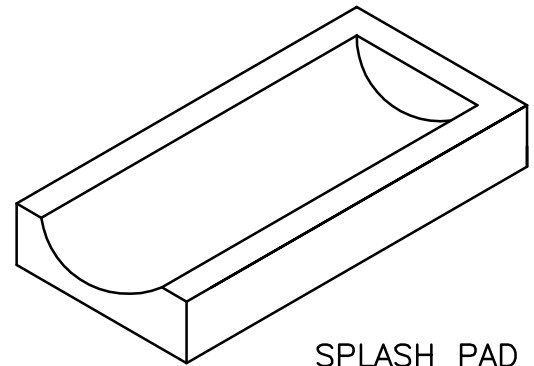
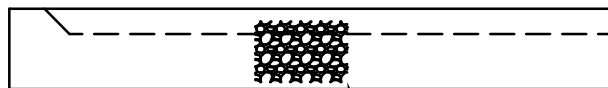


TOP VIEW

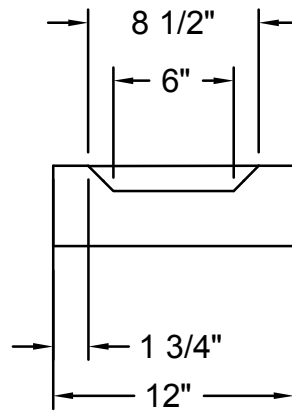


SPLASH PAD  
3D SHOWN  
N.T.S.



SIDE VIEW

EXPOSED  
AGGREGATE



END VIEW

SPLASH PAD AVAILABLE  
IN PEBBLESTONE FINISH

## 30" SPLASH PAD ( 4" THICK)

MODEL #45-40100-pebblestone  
APPROXIMATE WEIGHT OF SPLASH PAD = 83lbs.

**barkman**

152 Brandt Street, Steinbach, MB R5G 0R2  
T (204) 326 3445 or 1 800 461 2278 F (204) 326 5915  
barkmanconcrete.com

CUSTOMER  
**barkman STD PRODUCT**

PROJECT  
**30" PEBBLESTONE SPLASHPAD**

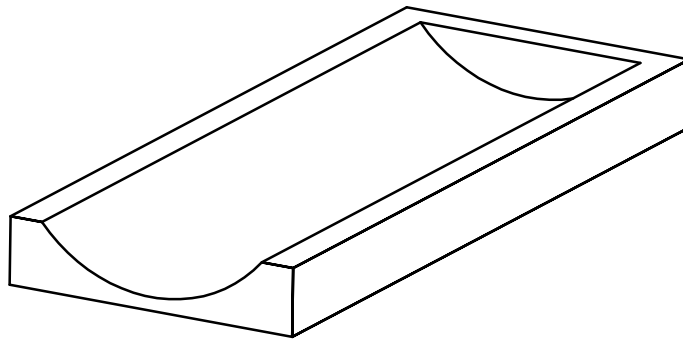
TITLE  
**PRODUCT DETAILS**

PART NUMBER				
-				
	INITIALS		MM/DD/YYYY	
DRAWN BY	DST	DATE	06/25/2013	
CHECKED BY		DATE		
WEIGHT (lbs)	SCALE	PAPER SIZE	SHT NO.	REV. #
	N.T.S.	8 1/2 X 11 (A)	<b>1</b>	<b>0</b>

THE INFORMATION CONTAINED IN THIS DRAWING IS THE SOLE PROPERTY OF BARKMAN CONCRETE LTD. ANY REPRODUCTION IN PART OR AS A WHOLE WITHOUT THE WRITTEN PERMISSION OF BARKMAN CONCRETE LTD. IS PROHIBITED.



## 30" PEBBLESTONE SPLASHPAD



**Product Code:**

- 105605 (pebblestone finish)

Size: 30" L x 12" W x 4" H

Weight: 83 lb.

Packaging: Palletized (24 sold separately)

Maintenance: Occasionally wash with mild detergent and water

Color:

- Natural Grey with Tan Pebblestone exposed aggregate finish
- Natural Gray with smooth finish

Material:

1) Concrete

- minimum 3500 psi compressive strength concrete
- thickness: 4"

2) Reinforcement

- 10 mm rebar

Notes: pebblestone aggregate is integral throughout splash pad