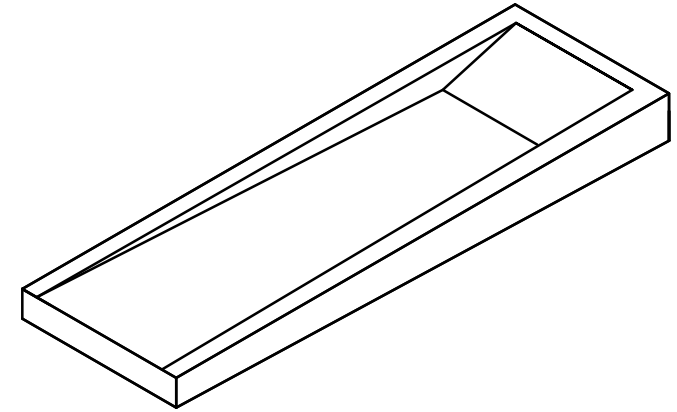
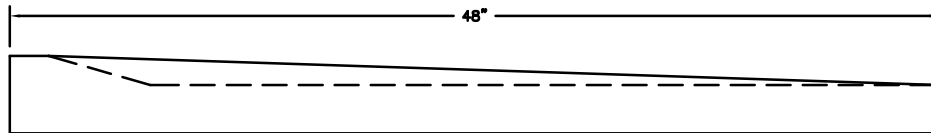


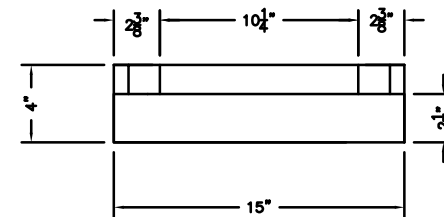
TOP VIEW




SPLASH PAD  
3D SHOWN  
N.T.S.



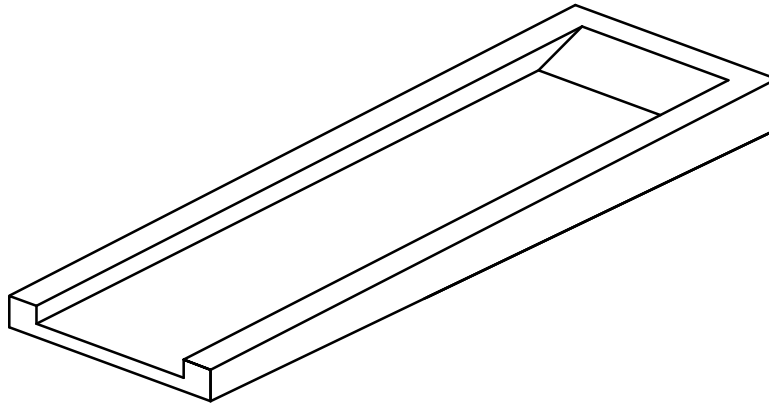
SIDE VIEW



|   |  |              |             |                |            |          |
|---|--|--------------|-------------|----------------|------------|----------|
| <br>152 Brandt Street, Steinbach, MB R5G 0R2<br>T (204) 326 3445 or 1 800 461 2278 F (204) 326 5915<br>barkmanconcrete.com | CUSTOMER   |              | PART NUMBER |                |            |          |
|   | <b>barkman STD PRODUCT</b>                       |              | -           |                |            |          |
|   | PROJECT  |              | INITIALS    |                | MM/DD/YYYY |          |
|   | <b>PEBBLESTONE SPLASH PAD<br/>(48"x12"x2.5")</b> |              | DP          |                | 05/30/2013 |          |
| TITLE   |  | CHECKED BY   |             | DATE           |            |          |
| <b>PRODUCT DETAILS</b>  |  |              |             |                |            |          |
| THE INFORMATION CONTAINED IN THIS DRAWING IS THE SOLE PROPERTY OF BARKMAN CONCRETE LTD. ANY REPRODUCTION IN PART OR AS A WHOLE WITHOUT THE WRITTEN PERMISSION OF BARKMAN CONCRETE LTD. IS PROHIBITED.         |  | WEIGHT (lbs) | SCALE       | PAPER SIZE     | SHT NO.    | REV. #   |
|   |  |              | N.T.S.      | 8 1/2 X 11 (A) | <b>1</b>   | <b>0</b> |

# barkman™

## 48" SPLASH PAD



- Product Code:** 105607  
**Size:** 48" L x 15" W x 4" H  
**Weight:** 150 lb.  
**Packaging:** Palletized (24 per pallet) or sold separately  
**Maintenance:** Occasionally wash with mild detergent and water  
**Color:** Natural Grey with Tan Pebblestone exposed aggregate finish  
**Material:**
- 1) Concrete
    - minimum 3500 psi compressive strength concrete
    - thickness: 4"
  - 2) Reinforcement
    - 15 mm rebar
- Notes:** pebblestone aggregate is integral throughout grate