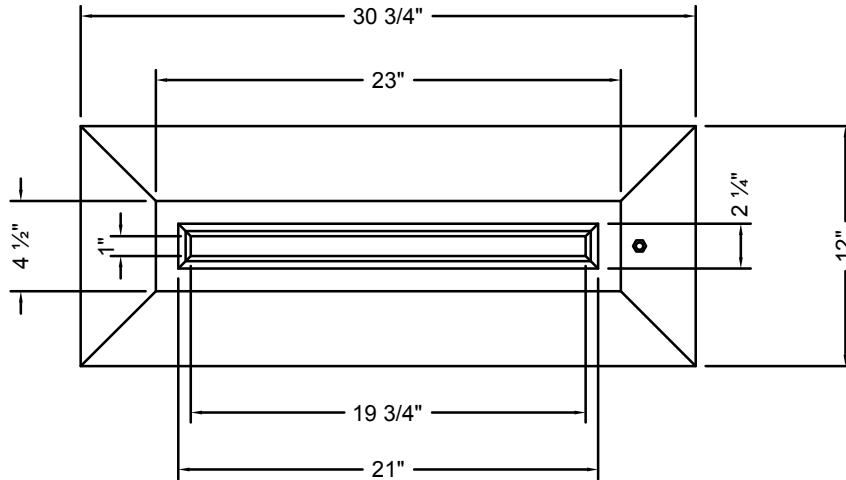
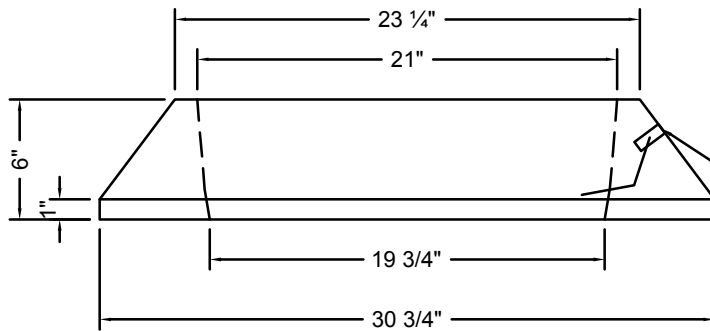


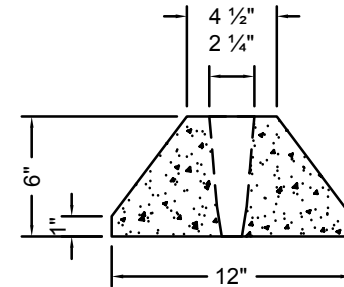
TOP VIEW



WEIGHT OF STAND = 80 lbs.



3/8" NUT CAST INTO CONCRETE with REBAR WELDED TO THE NUT



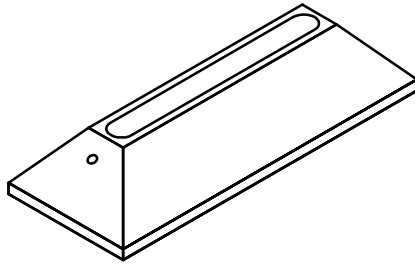
CROSS-SECTION

SIDE VIEW

 152 Brandt Street, Steinbach, MB R5G 0R2 T (204) 326 3445 or 1 800 461 2278 F (204) 326 5915 barkmanconcrete.com	CUSTOMER		PART NUMBER					
	barkman STD PRODUCT		-					
	PROJECT							
	BICYCLE STAND		DRAWN BY		INITIALS	MM/DD/YYYY		
	TITLE		CHECKED BY		DATE	05/29/2013		
THE INFORMATION CONTAINED IN THIS DRAWING IS THE SOLE PROPERTY OF BARKMAN CONCRETE LTD. ANY REPRODUCTION IN PART OR AS A WHOLE WITHOUT THE WRITTEN PERMISSION OF BARKMAN CONCRETE LTD. IS PROHIBITED.		PRODUCT DETAILS		WEIGHT (lbs)	SCALE	PAPER SIZE	SHT NO.	REV. #
				N.T.S.	8 1/2 X 11 (A)	1	0	

barkman™

BICYCLE STAND



Optional Metal
Locking Ring

Product Code:

- 105490 (smooth finish)
- 105491 (pebblestone finish)
- 105492 (metal locking ring)

Size: 30 $\frac{3}{4}$ " L x 12" W x 6" H

Weight: 80 lb.

Packaging: Palletized or sold separately

Maintenance: Occasionally wash with mild detergent and water

Material:

- 1) Concrete
 - 1 bike stand
- 2) Metal (optional)
 - 1 steel ring (zinc dichromate coated) welded to $\frac{3}{8}$ " bolt

CONCRETE

Size: 30 $\frac{3}{4}$ " L x 12" W x 6" H

Weight: 80 lb.

Colors:

- Natural Gray with Tan Pebblestone exposed aggregate finish
- Natural Gray with smooth finish

Material:

- 1) Concrete:
 - minimum 3500 psi compressive strength concrete
 - tapered to 23 $\frac{1}{4}$ " L x 4 $\frac{1}{2}$ " W at the top
 - each stand comes with a $\frac{3}{8}$ " nut cast into the concrete to screw in optional locking ring

Notes: Pebblestone aggregate is integral throughout grate

METAL

Product Code: 45-23000

Size: 1 $\frac{1}{2}$ " \varnothing , $\frac{5}{16}$ " thick; welded to $\frac{3}{8}$ " x 1" bolt