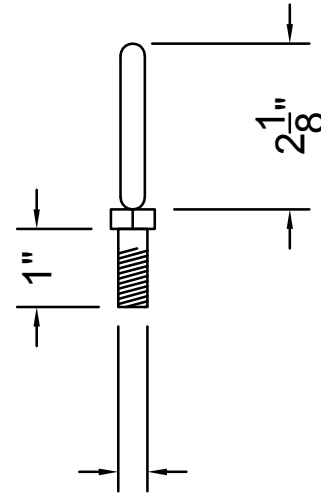


SIDE VIEW  
3/8"



END VIEW  
3/8"

# LOCKING RING

 152 Brandt Street, Steinbach, MB R5G 0R2 T (204) 326 3445 or 1 800 461 2278 F (204) 326 5915 barkmanconcrete.com	CUSTOMER		PART NUMBER	
	barkman STD PRODUCT		105492	
	PROJECT		INITIALS	MM/DD/YYYY
	LOCKING RING (ZINC DICHROMATE PLATING)		DRAWN BY	DATE
TITLE		CHECKED BY	DATE	
PRODUCT DETAILS		WEIGHT (lbs)	SCALE	
THE INFORMATION CONTAINED IN THIS DRAWING IS THE SOLE PROPERTY OF BARKMAN CONCRETE LTD. ANY REPRODUCTION IN PART OR AS A WHOLE WITHOUT THE WRITTEN PERMISSION OF BARKMAN CONCRETE LTD. IS PROHIBITED.		PAPER SIZE	SHT NO.	
		N.T.S.	8 1/2 X 11 (A)	
		1	0	