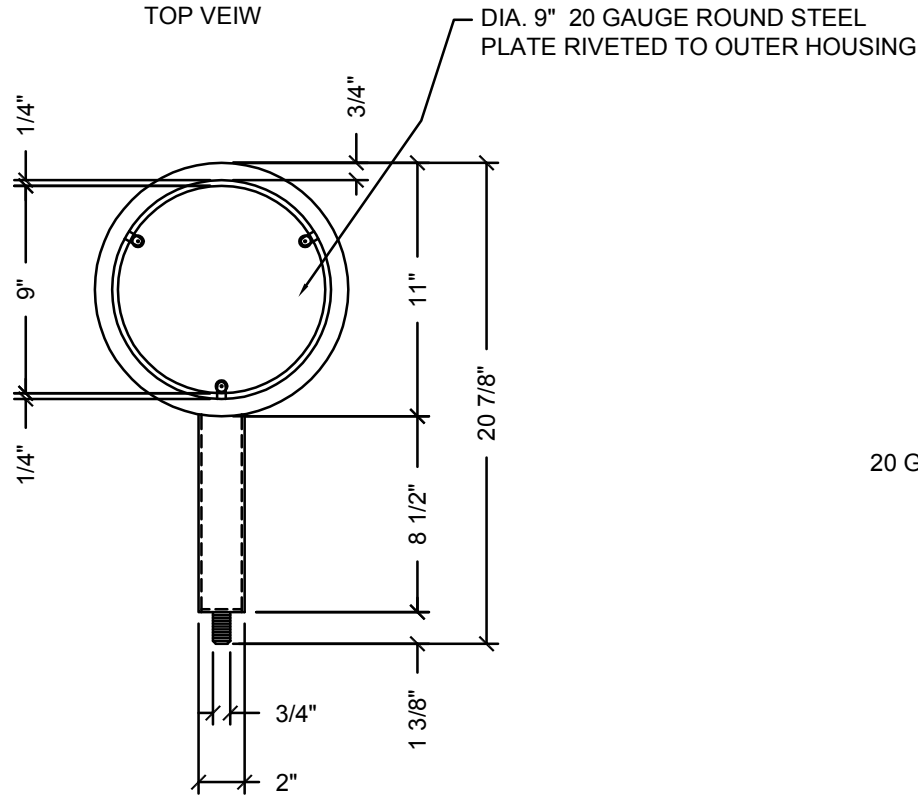
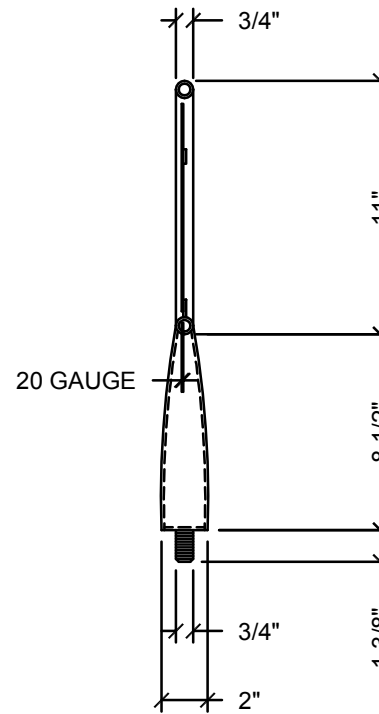


TOP VIEW


BOLLARD SIGN



SIDE VIEW



END VIEW

 <p>152 Brandt Street, Steinbach, MB R5G 0R2 T (204) 326 3445 or 1 800 461 2278 F (204) 326 5915 barkmanconcrete.com</p>	CUSTOMER		PART NUMBER			
	barkman STD PRODUCT		-			
	PROJECT		INITIALS			
	BOLLARD SIGN		DATE		MM/DD/YYYY	
TITLE		DRAWN BY		DATE		
PRODUCT DETAILS		CHECKED BY		DATE		
<small>THE INFORMATION CONTAINED IN THIS DRAWING IS THE SOLE PROPERTY OF BARKMAN CONCRETE LTD. ANY REPRODUCTION IN PART OR AS A WHOLE WITHOUT THE WRITTEN PERMISSION OF BARKMAN CONCRETE LTD. IS PROHIBITED.</small>		WEIGHT (lbs)		SCALE		
		N.T.S.		PAPER SIZE		
		SHT NO.		REV. #		
		1		0		