
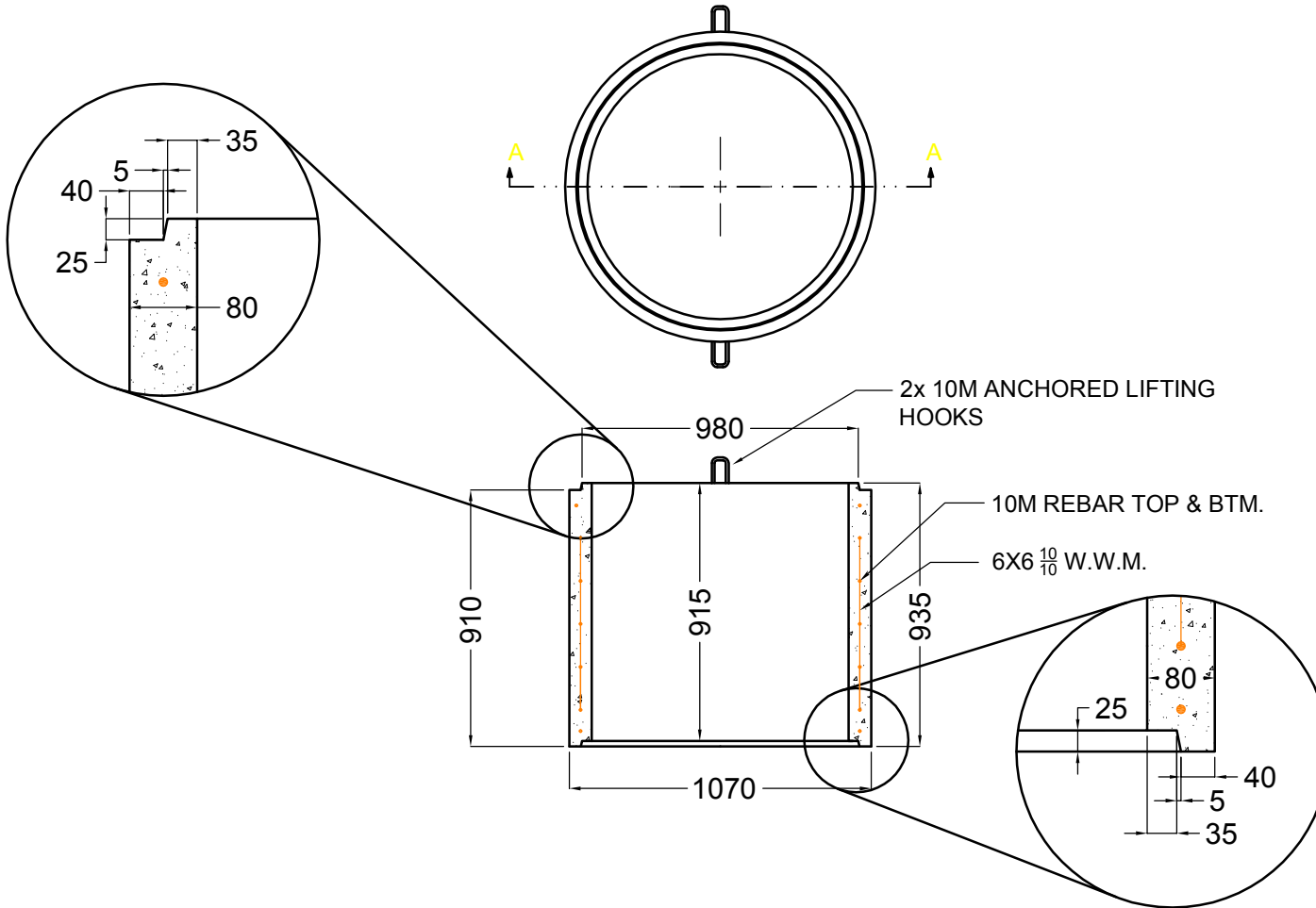


GENERAL NOTES


- Concrete
- Cement Type
- Type GU
- Water to Cement Ratio 0.45
- Compressive Strength @ 28 days to be min. 32 Mpa
- Slump shall be in the range of 125mm-200mm (5"-8")
- Air Entrainment shall be in the range of 5-7percent
- Reinforcing
- Reinforcing steel shall be new billet deformed bars and shall conform to CSA standard G30.13 Grade 400.
- Minimum concrete cover for all reinforcing to be 25mm or 1"
- Other
- Concrete manufacturing and testing practices are undertaken in accordance with National Precast Concrete Association (NPCA) and Canadian Standard Association (CSA) standards.

 152 Brandt Street, Steinbach, MB R5G 0R2 T (204) 326 3445 or 1 800 461 2278 F (204) 326 5915 barkmanconcrete.com	CUSTOMER		PART NUMBER					
	barkman STD PRODUCT		-					
	PROJECT		INITIALS		MM/DD/YYYY			
	36" I.D. WELL CRIBBING		DRAWN BY		DATE			
	TITLE		CHECKED BY		DATE			
THE INFORMATION CONTAINED IN THIS DRAWING IS THE SOLE PROPERTY OF BARKMAN CONCRETE LTD. ANY REPRODUCTION IN PART OR AS A WHOLE WITHOUT THE WRITTEN PERMISSION OF BARKMAN CONCRETE LTD. IS PROHIBITED.		PRODUCT DETAILS		WEIGHT (lbs)	SCALE	PAPER SIZE	SHT NO.	REV. #
				N.T.S.	8 1/2 X 11 (A)	1	0	



GENERAL NOTES

- Concrete
- Cement Type
- Type GU
- Water to Cement Ratio 0.45
- Compressive Strength @ 28 days to be min. 32 Mpa
- Slump shall be in the range of 125mm-200mm (5"-8")
- Air Entrainment shall be in the range of 5-7percent
- Reinforcing
- Reinforcing steel shall be new billet deformed bars and shall conform to CSA standard G30.13 Grade 400.
- Minimum concrete cover for all reinforcing to be 25mm or 1"
- Other
- Concrete manufacturing and testing practices are undertaken in accordance with National Precast Concrete Association (NPCA) and Canadian Standard Association (CSA) standards.

 152 Brandt Street, Steinbach, MB R5G 0R2 T (204) 326 3445 or 1 800 461 2278 F (204) 326 5915 barkmanconcrete.com	CUSTOMER		PART NUMBER			
	barkman STD PRODUCT		-			
	PROJECT		INITIALS		MM/DD/YYYY	
	36" I.D. WELL CRIBBING		DRAWN BY		DATE	
TITLE		CHECKED BY		DATE		
PRODUCT DETAILS		WEIGHT (lbs)		SCALE		
<small>THE INFORMATION CONTAINED IN THIS DRAWING IS THE SOLE PROPERTY OF BARKMAN CONCRETE LTD. ANY REPRODUCTION IN PART OR AS A WHOLE WITHOUT THE WRITTEN PERMISSION OF BARKMAN CONCRETE LTD. IS PROHIBITED.</small>		N.T.S.		PAPER SIZE		
		8 1/2 X 11 (A)		SHT NO.		
		1		REV. #		
		0				