
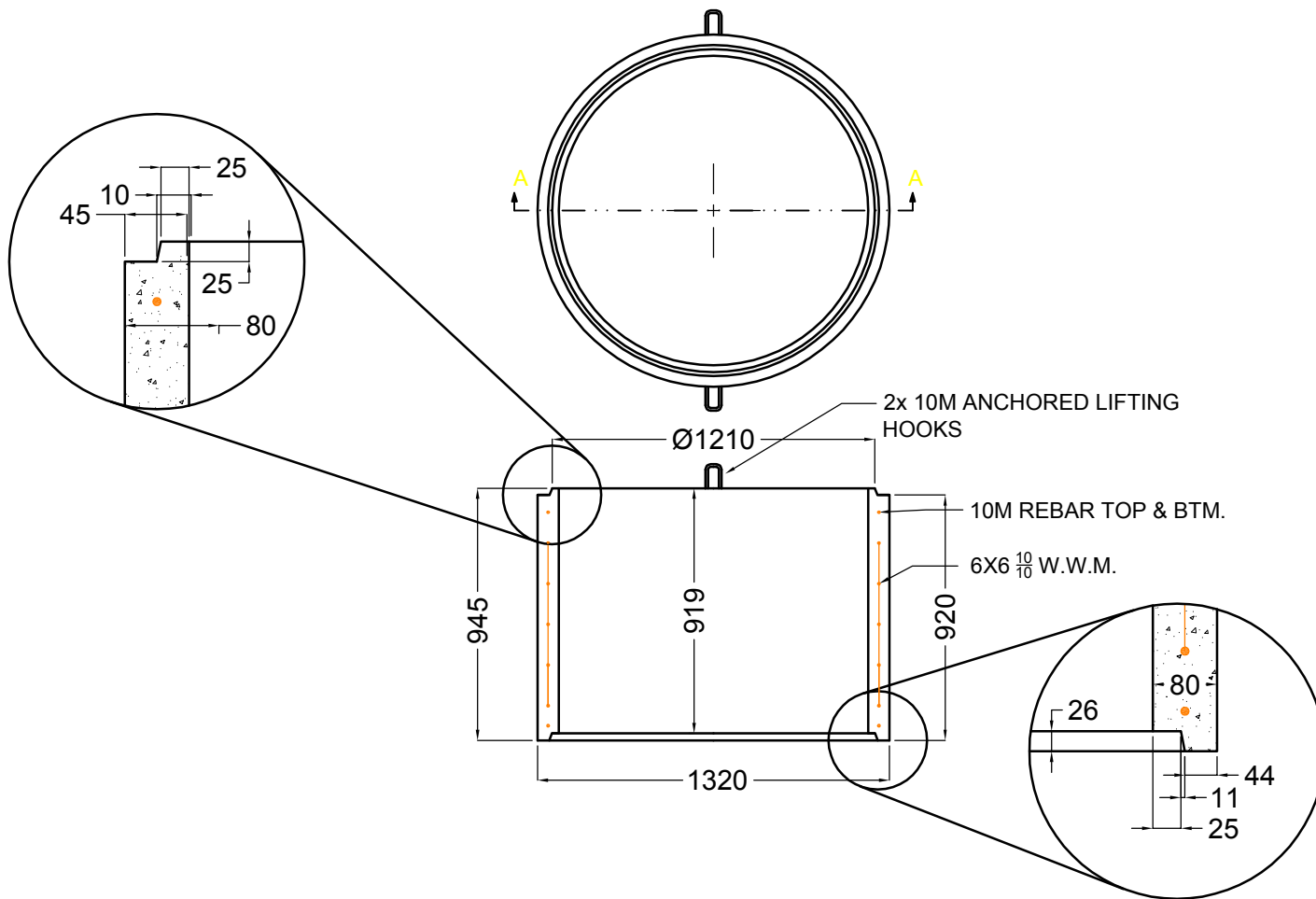


GENERAL NOTES


- Concrete
- Cement Type
- Type GU
- Water to Cement Ratio 0.45
- Compressive Strength @ 28 days to be min. 32 Mpa
- Slump shall be in the range of 125mm-200mm (5"-8")
- Air Entrainment shall be in the range of 5-7percent Reinforcing
- Reinforcing steel shall be new billet deformed bars and shall conform to CSA standard G30.13 Grade 300.
- Minimum concrete cover for all reinforcing to be 25mm or 1"
- Other
- Concrete manufacturing and testing practices are undertaken in accordance with National Precast Concrete Association (NPCA) and Canadian Standard Association (CSA) standards.

 <p>152 Brandt Street, Steinbach, MB R5G 0R2 T (204) 326 3445 or 1 800 461 2278 F (204) 326 5915 barkmanconcrete.com</p>	CUSTOMER		PART NUMBER					
	barkman STD PRODUCT		-					
	PROJECT		INITIALS		MM/DD/YYYY			
	48" I.D. WELL CRIBBING		DRAWN BY		DATE			
	TITLE		CHECKED BY		DATE			
<p>THE INFORMATION CONTAINED IN THIS DRAWING IS THE SOLE PROPERTY OF BARKMAN CONCRETE LTD. ANY REPRODUCTION IN PART OR AS A WHOLE WITHOUT THE WRITTEN PERMISSION OF BARKMAN CONCRETE LTD. IS PROHIBITED.</p>		PRODUCT DETAILS		WEIGHT (lbs)	SCALE	PAPER SIZE	SHT NO.	REV. #
				N.T.S.	8 1/2 X 11 (A)	1	0	



GENERAL NOTES

- Concrete
- Cement Type
- Type GU
- Water to Cement Ratio 0.45
- Compressive Strength @ 28 days to be min. 32 Mpa
- Slump shall be in the range of 125mm-200mm (5"-8")
- Air Entrainment shall be in the range of 5-7percent
- Reinforcing
- Reinforcing steel shall be new billet deformed bars and shall conform to CSA standard G30.13 Grade 300.
- Minimum concrete cover for all reinforcing to be 25mm or 1"
- Other
- Concrete manufacturing and testing practices are undertaken in accordance with National Precast Concrete Association (NPCA) and Canadian Standard Association (CSA) standards.

 <p>152 Brandt Street, Steinbach, MB R5G 0R2 T (204) 326 3445 or 1 800 461 2278 F (204) 326 5915 barkmanconcrete.com</p>	CUSTOMER		PART NUMBER					
	barkman STD PRODUCT		-					
	PROJECT							
	48" I.D. WELL CRIBBING		DRAWN BY		INITIALS	DATE	MM/DD/YYYY	
	TITLE		CHECKED BY					
<p>THE INFORMATION CONTAINED IN THIS DRAWING IS THE SOLE PROPERTY OF BARKMAN CONCRETE LTD. ANY REPRODUCTION IN PART OR AS A WHOLE WITHOUT THE WRITTEN PERMISSION OF BARKMAN CONCRETE LTD. IS PROHIBITED.</p>		PRODUCT DETAILS		WEIGHT (lbs)	SCALE	PAPER SIZE	SHT NO.	REV. #
					N.T.S.	8 1/2 X 11 (A)	1	0