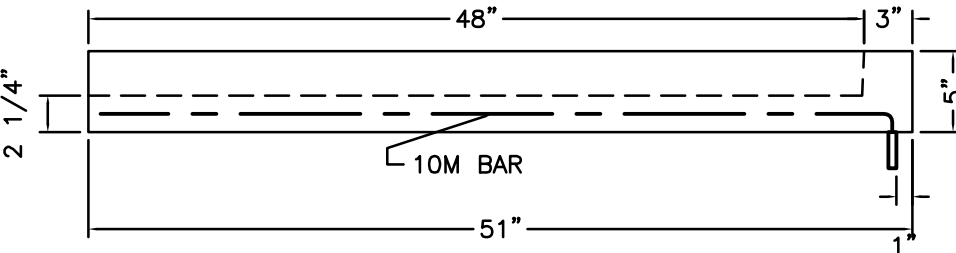
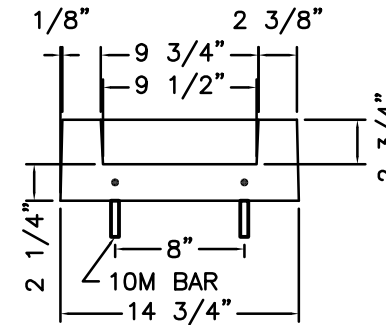


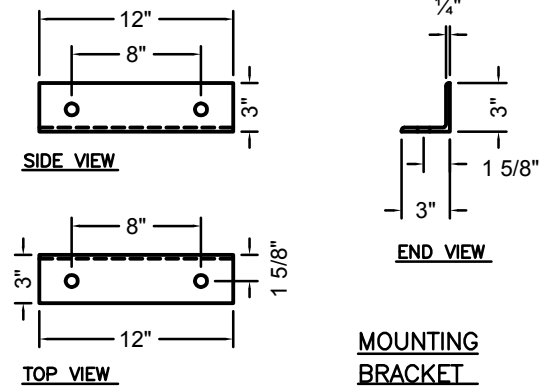
TOP VIEW



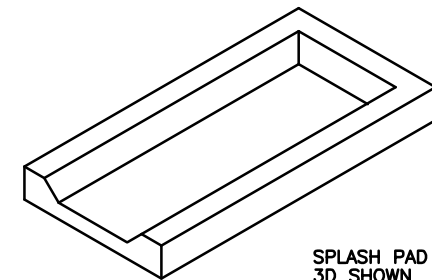
SIDE VIEW



END VIEW




MOUNTING BRACKET



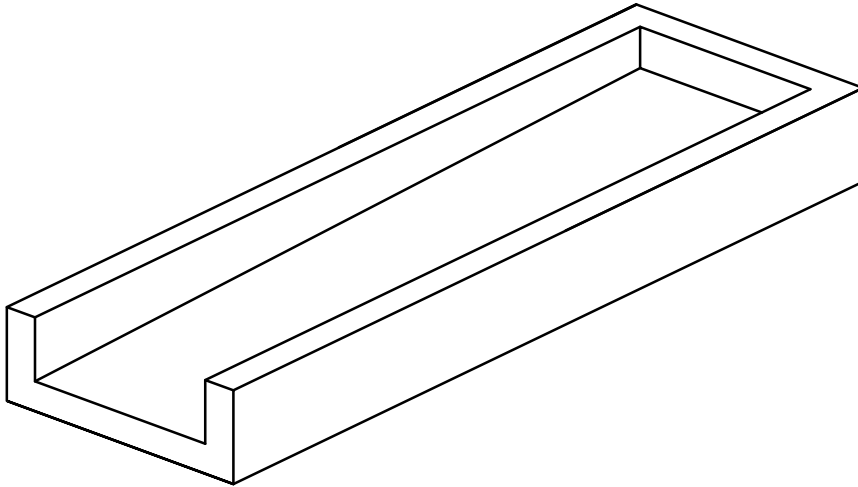
SPLASH PAD 3D SHOWN N.T.S.

WEIGHT OF SPLASH PAD = 206 lbs.

 152 Brandt Street, Steinbach, MB R5G 0R2 T (204) 326 3445 or 1 800 461 2278 F (204) 326 5915 barkmanconcrete.com	CUSTOMER		PART NUMBER				
	barkman STD PRODUCT		-				
	PROJECT		INITIALS		MM/DD/YYYY		
	NATURAL SPLASH PAD (51"x14.5"x5")		DP		05/30/2013		
TITLE		CHECKED BY		DATE			
PRODUCT DETAILS		WEIGHT (lbs)		SCALE	PAPER SIZE	SHT NO.	REV. #
THE INFORMATION CONTAINED IN THIS DRAWING IS THE SOLE PROPERTY OF BARKMAN CONCRETE LTD. ANY REPRODUCTION IN PART OR AS A WHOLE WITHOUT THE WRITTEN PERMISSION OF BARKMAN CONCRETE LTD. IS PROHIBITED.				N.T.S.	8 1/2 X 11 (A)	1	0

barkman™

51" SPLASH PAD



Product Code: 105608

Size: 51" L x 14 $\frac{1}{2}$ " w x 5" H

Weight: 212 lb.

Packaging: Palletized (12 per pallet) or sold separately

Maintenance: Occasionally wash with mild detergent and water

Color: Natural Grey with Tan Pebblestone exposed aggregate finish

Material:

- 1) Concrete
 - minimum 3500 psi compressive strength concrete
 - thickness: 5"
- 2) Reinforcement
 - 10 mm rebar

Notes:

- two anchoring bars protrude from the bottom of the splash pad to anchor splash pad
- a mounting bracket is optional to attach splash pad to a building wall
- pebblestone aggregate is integral throughout grate

Mounting Bracket

Product Code: 105610

3" x 3" x 12" steel angle bracket (for attaching splash pad to wall)