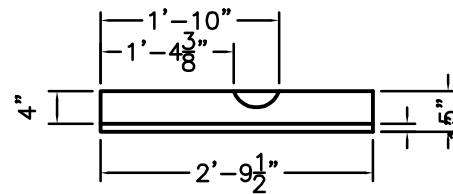
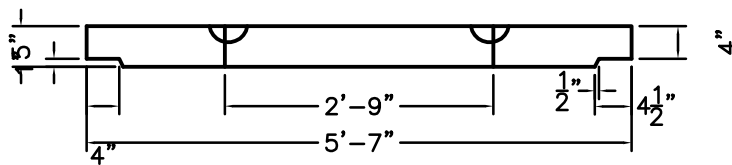
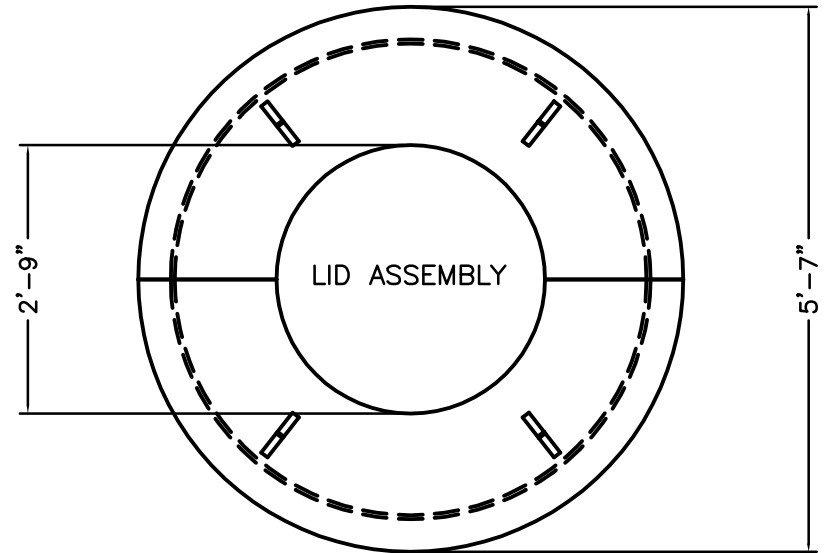
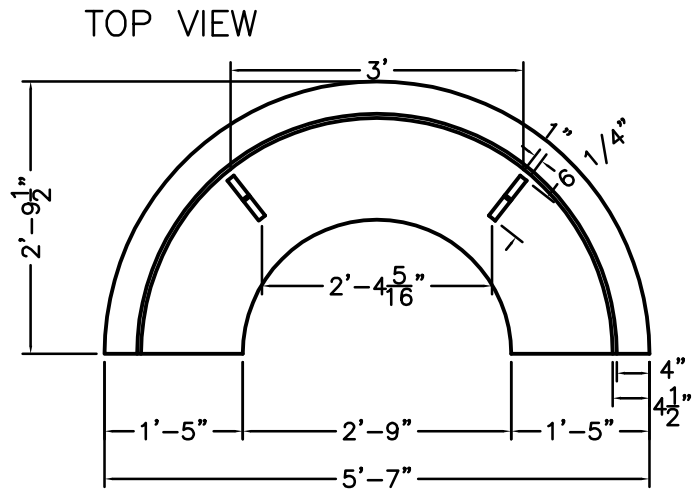



5'-7" WELL CRIBBING LID



 152 Brandt Street, Steinbach, MB R5G 0R2 T (204) 326 3445 or 1 800 461 2278 F (204) 326 5915 barkmanconcrete.com	CUSTOMER		PART NUMBER			
	barkman STD PRODUCT		-			
	PROJECT		DRAWN BY		INITIALS	MM/DD/YYYY
	60" SUMP PUMP LID (2 PIECES)		DST		DATE	06/12/2013
CHECKED BY			DATE			
TITLE		WEIGHT (lbs)	SCALE	PAPER SIZE	SHT NO.	REV. #
		N.T.S.		8 1/2 X 11 (A)	1	0
THE INFORMATION CONTAINED IN THIS DRAWING IS THE SOLE PROPERTY OF BARKMAN CONCRETE LTD. ANY REPRODUCTION IN PART OR AS A WHOLE WITHOUT THE WRITTEN PERMISSION OF BARKMAN CONCRETE LTD. IS PROHIBITED.		PRODUCT DETAILS				