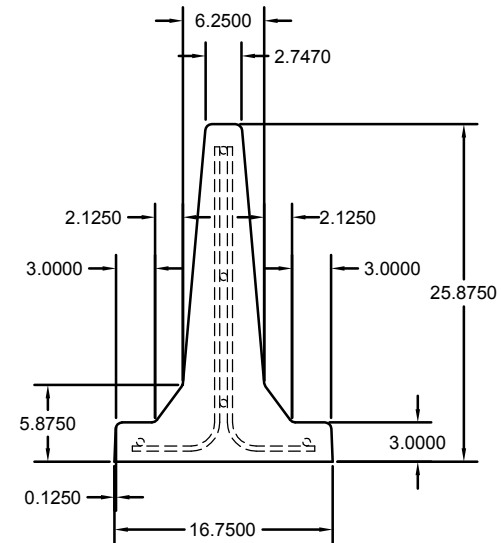
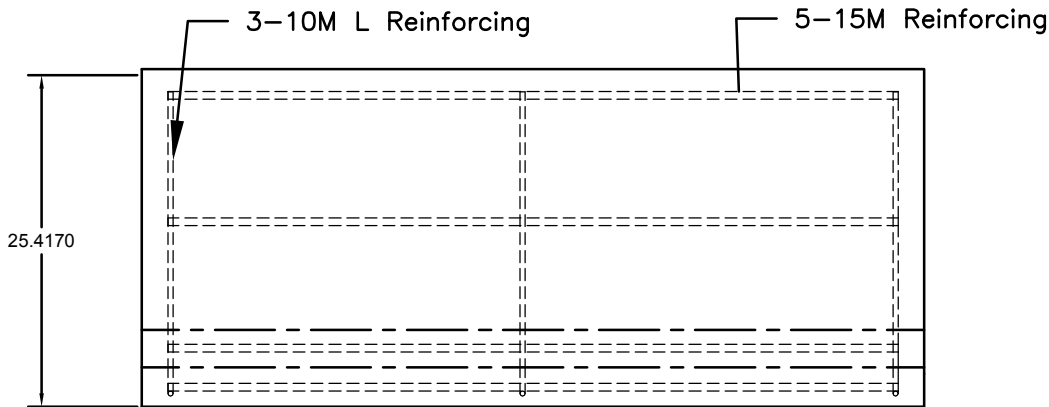
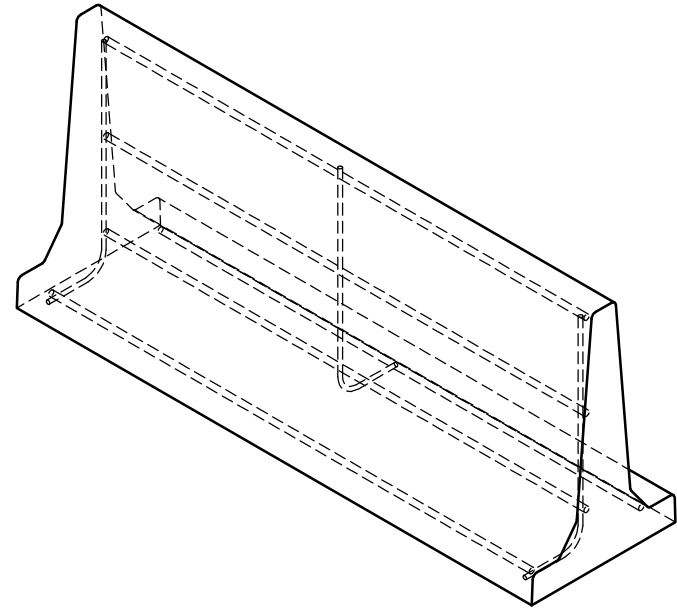
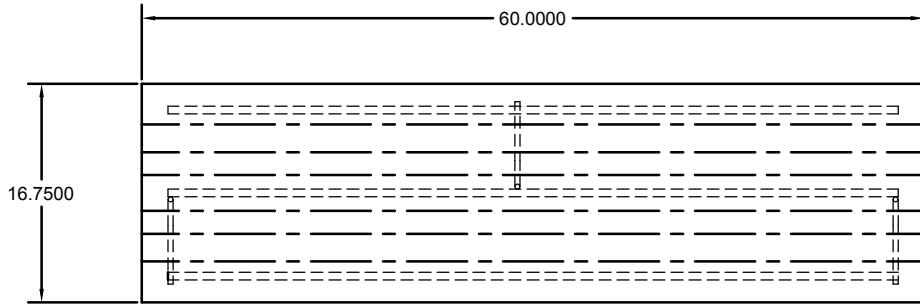



Notes:

1. Compressive Strength @ 28 Days to be 25MPa or 3625 psi.
2. Finish: Smooth, Natural Gray Concrete
3. 775Lbs. (351Kg) per unit



 152 Brandt Street, Steinbach, MB R5G 0R2 T (204) 326 3445 or 1 800 461 2278 F (204) 326 5915 barkmanconcrete.com	CUSTOMER		PART NUMBER	
	barkman STD PRODUCT		106489	
PROJECT		INITIALS		MM/DD/YYYY
BARRIER CURB (60"x26")		DRAWN BY		DP
TITLE		CHECKED BY		DATE
PRODUCT DETAILS		WEIGHT (lbs)	SCALE	PAPER SIZE
<small>THE INFORMATION CONTAINED IN THIS DRAWING IS THE SOLE PROPERTY OF BARKMAN CONCRETE LTD. ANY REPRODUCTION IN PART OR AS A WHOLE WITHOUT THE WRITTEN PERMISSION OF BARKMAN CONCRETE LTD. IS PROHIBITED.</small>		1		0
		N.T.S.		8 1/2 X 11 (A)