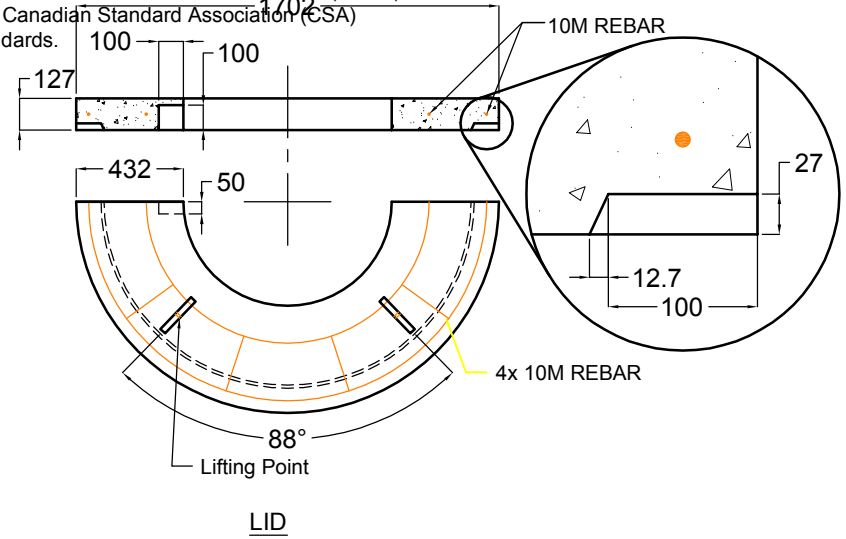
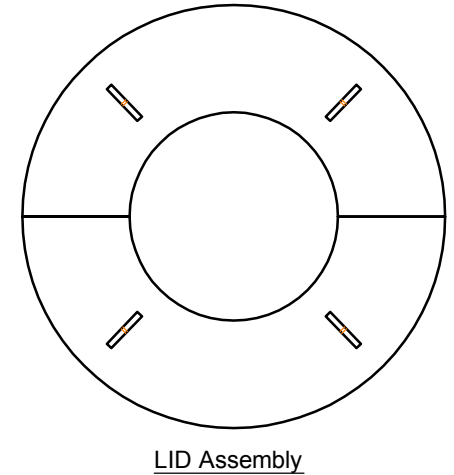

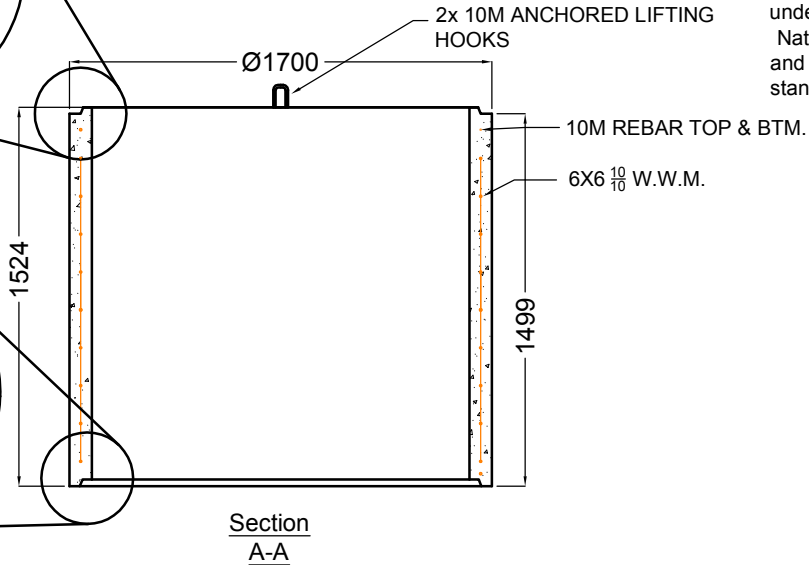
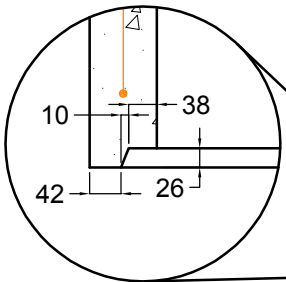
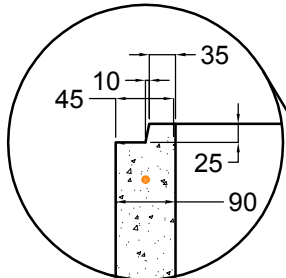
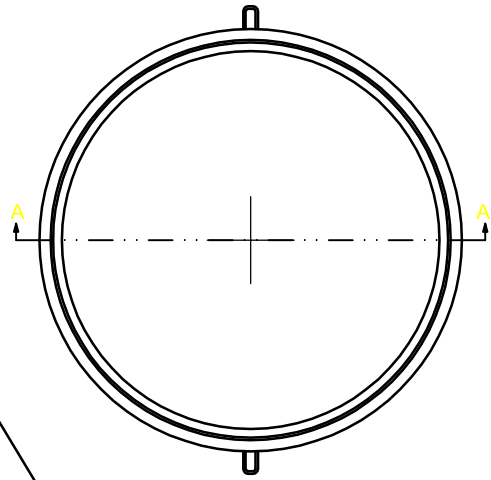


GENERAL NOTES
 Concrete
 Cement Type
 -Type GU
 -Water to Cement Ratio 0.45
 -Compressive Strength @ 28 days to be min. 32 Mpa
 -Slump shall be in the range of 125mm-200mm (5"-8")
 -Air Entrainment shall be in the range of 5-7percent
 Reinforcing
 -Reinforcing steel shall be new billet deformed bars and shall conform to CSA standard G30.13 Grade 300.
 -Minimum concrete cover for all reinforcing to be 25mm or 1"
 Other
 Concrete manufacturing and testing practices are undertaken in accordance with National Precast Concrete Association (NPCA) and Canadian Standard Association (CSA) standards.

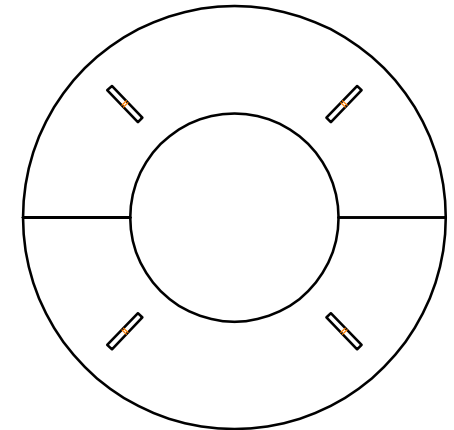


 152 Brandt Street, Steinbach, MB R5G 0R2 T (204) 326 3445 or 1 800 461 2278 F (204) 326 5915 barkmanconcrete.com	CUSTOMER		PART NUMBER			
	barkman STD PRODUCT		-			
PROJECT		INITIALS		MM/DD/YYYY		
60" I.D. WELL CRIBBING\		DRAWN BY		DATE		
TITLE		CHECKED BY		DATE		
PRODUCT DETAILS		WEIGHT (lbs)		SCALE		
		N.T.S.		PAPER SIZE		
		8 1/2 X 11 (A)		SHT NO.		
		1		REV. #		
		0				

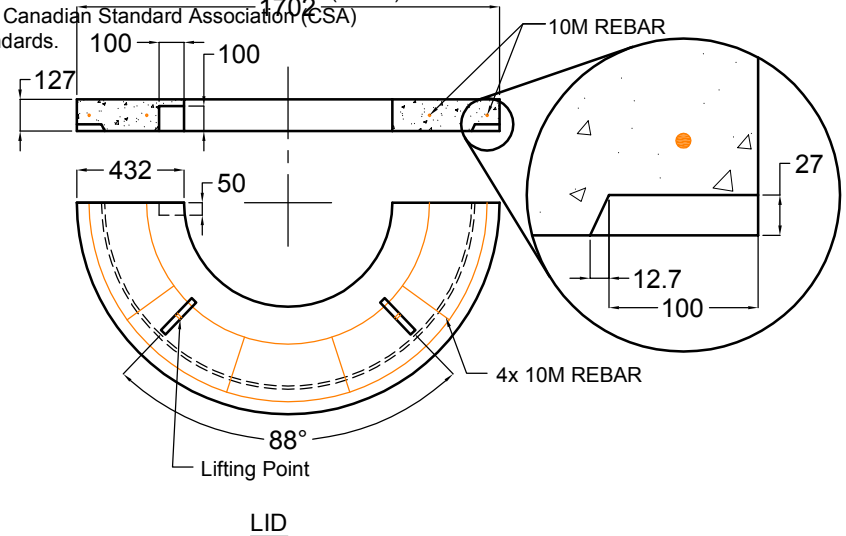
THE INFORMATION CONTAINED IN THIS DRAWING IS THE SOLE PROPERTY OF BARKMAN CONCRETE LTD. ANY REPRODUCTION IN PART OR AS A WHOLE WITHOUT THE WRITTEN PERMISSION OF BARKMAN CONCRETE LTD. IS PROHIBITED.



GENERAL NOTES
 Concrete
 Cement Type
 -Type GU
 -Water to Cement Ratio 0.45
 -Compressive Strength @ 28 days to be min. 32 Mpa
 -Slump shall be in the range of 125mm-200mm (5"-8")
 -Air Entrainment shall be in the range of 5-7percent
 Reinforcing
 -Reinforcing steel shall be new billet deformed bars and shall conform to CSA standard G30.13 Grade 300.
 -Minimum concrete cover for all reinforcing to be 25mm or 1"
 Other
 Concrete manufacturing and testing practices are undertaken in accordance with National Precast Concrete Association (NPCA) and Canadian Standard Association (CSA) standards.



LID Assembly



barkmanTM

152 Brandt Street, Steinbach, MB R5G 0R2
 T (204) 326 3445 or 1 800 461 2278 F (204) 326 5915
 barkmanconcrete.com

THE INFORMATION CONTAINED IN THIS DRAWING IS THE SOLE PROPERTY OF BARKMAN CONCRETE LTD. ANY REPRODUCTION IN PART OR AS A WHOLE WITHOUT THE WRITTEN PERMISSION OF BARKMAN CONCRETE LTD. IS PROHIBITED.

CUSTOMER	barkman STD PRODUCT	
PROJECT	60" I.D. WELL CRIBBING	
TITLE	PRODUCT DETAILS	

PART NUMBER					-	
	INITIALS		MM/DD/YYYY			
DRAWN BY	DST	DATE	06/11/2013			
CHECKED BY		DATE				
WEIGHT (lbs)	SCALE	PAPER SIZE	SHT NO.	REV. #		
	N.T.S.	8 1/2 X 11 (A)	1	0		