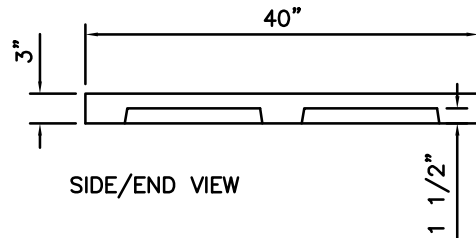
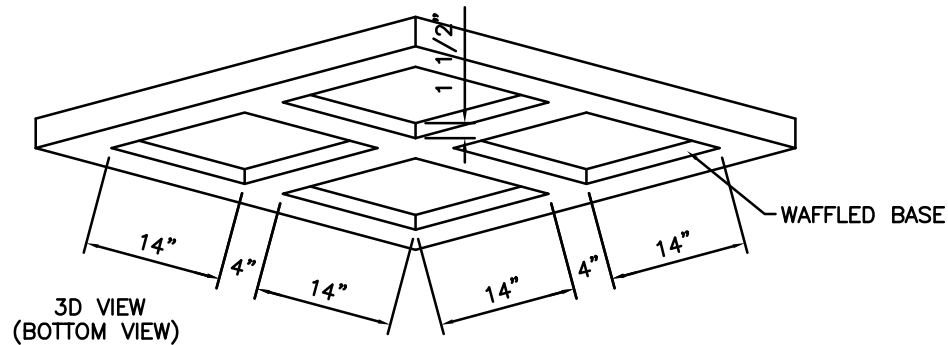
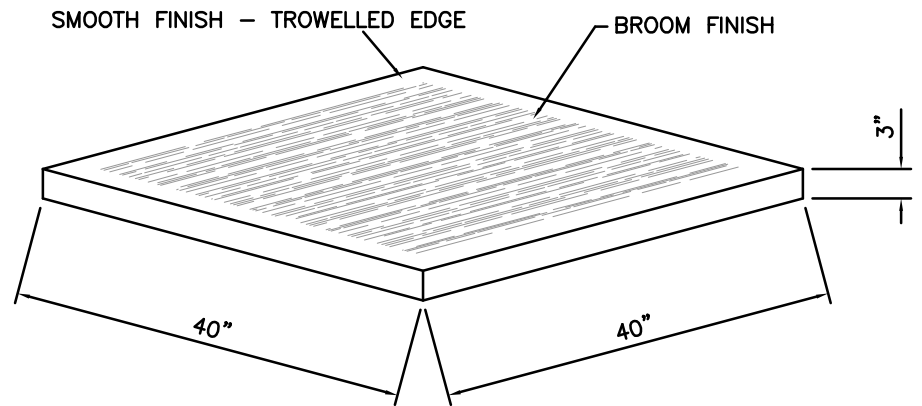



TOP VIEW



SIDE/END VIEW



 <p>152 Brandt Street, Steinbach, MB R5G 0R2 T (204) 326 3445 or 1 800 461 2278 F (204) 326 5915 barkmanconcrete.com</p>	CUSTOMER		PART NUMBER			
	<b>barkman STD PRODUCT</b>		<b>106018</b>			
<p>THE INFORMATION CONTAINED IN THIS DRAWING IS THE SOLE PROPERTY OF BARKMAN CONCRETE LTD. ANY REPRODUCTION IN PART OR AS A WHOLE WITHOUT THE WRITTEN PERMISSION OF BARKMAN CONCRETE LTD. IS PROHIBITED.</p>	PROJECT		INITIALS		MM/DD/YYYY	
	POOL HEATER PAD		DP		05/30/2013	
	TITLE		CHECKED BY		DATE	
	<b>PRODUCT DETAILS</b>					
	WEIGHT (lbs)	SCALE	PAPER SIZE	SHT NO.	REV. #	
	396 lbs.	N.T.S.	8 1/2 X 11 (A)	<b>1</b>	<b>0</b>	