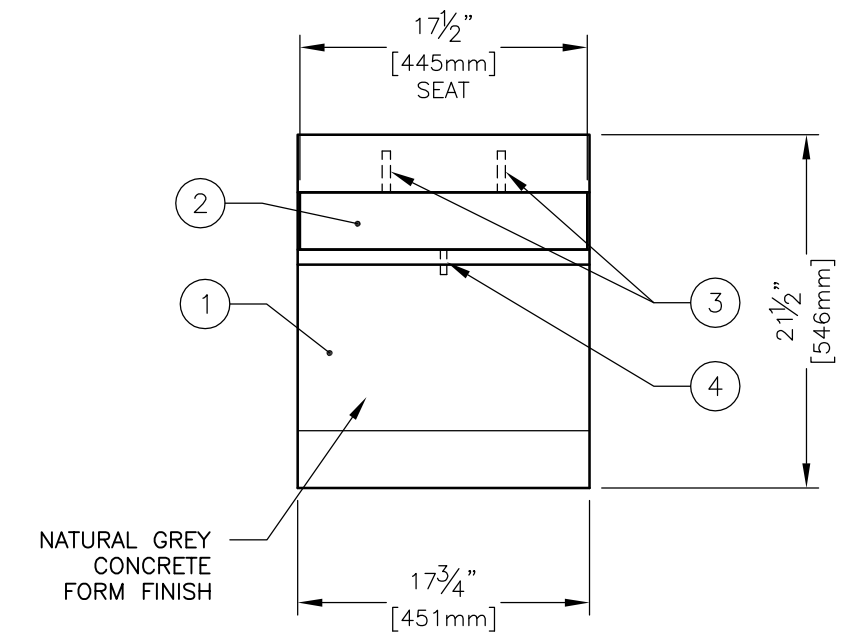
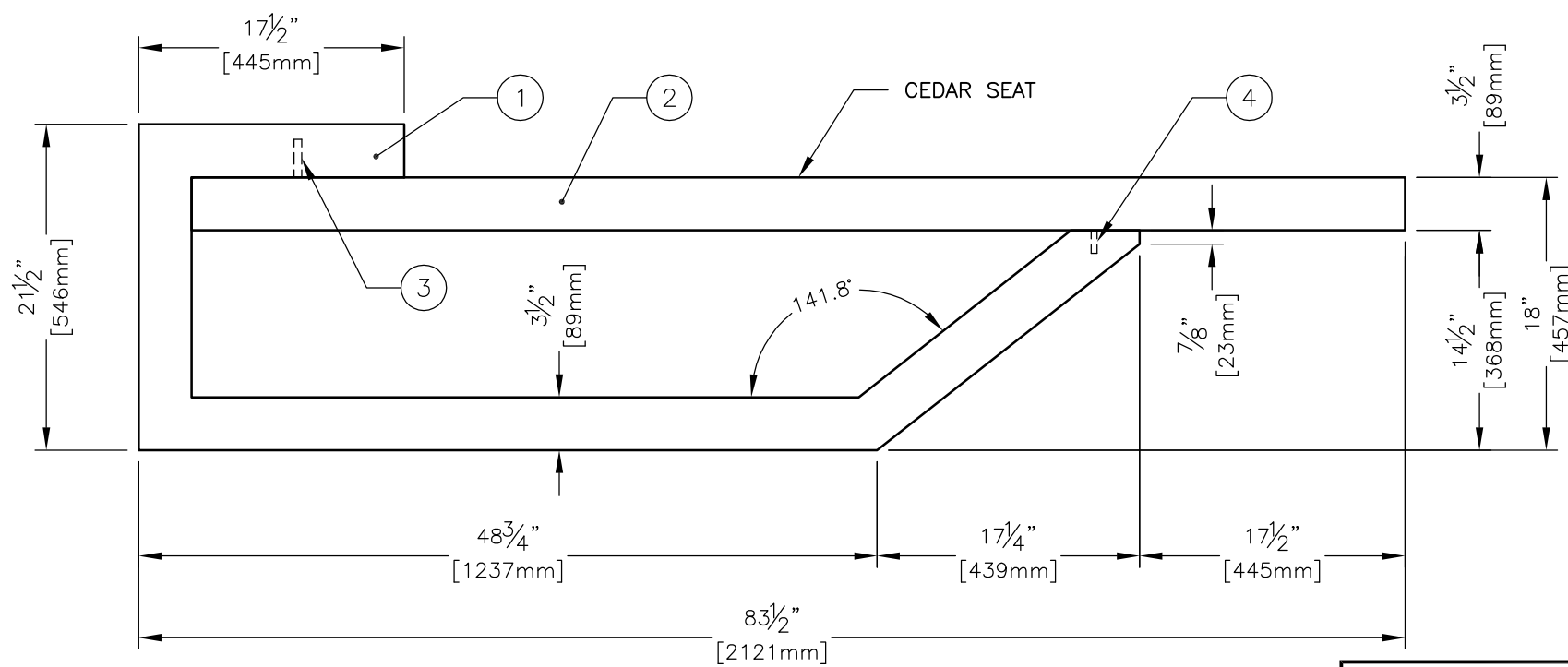
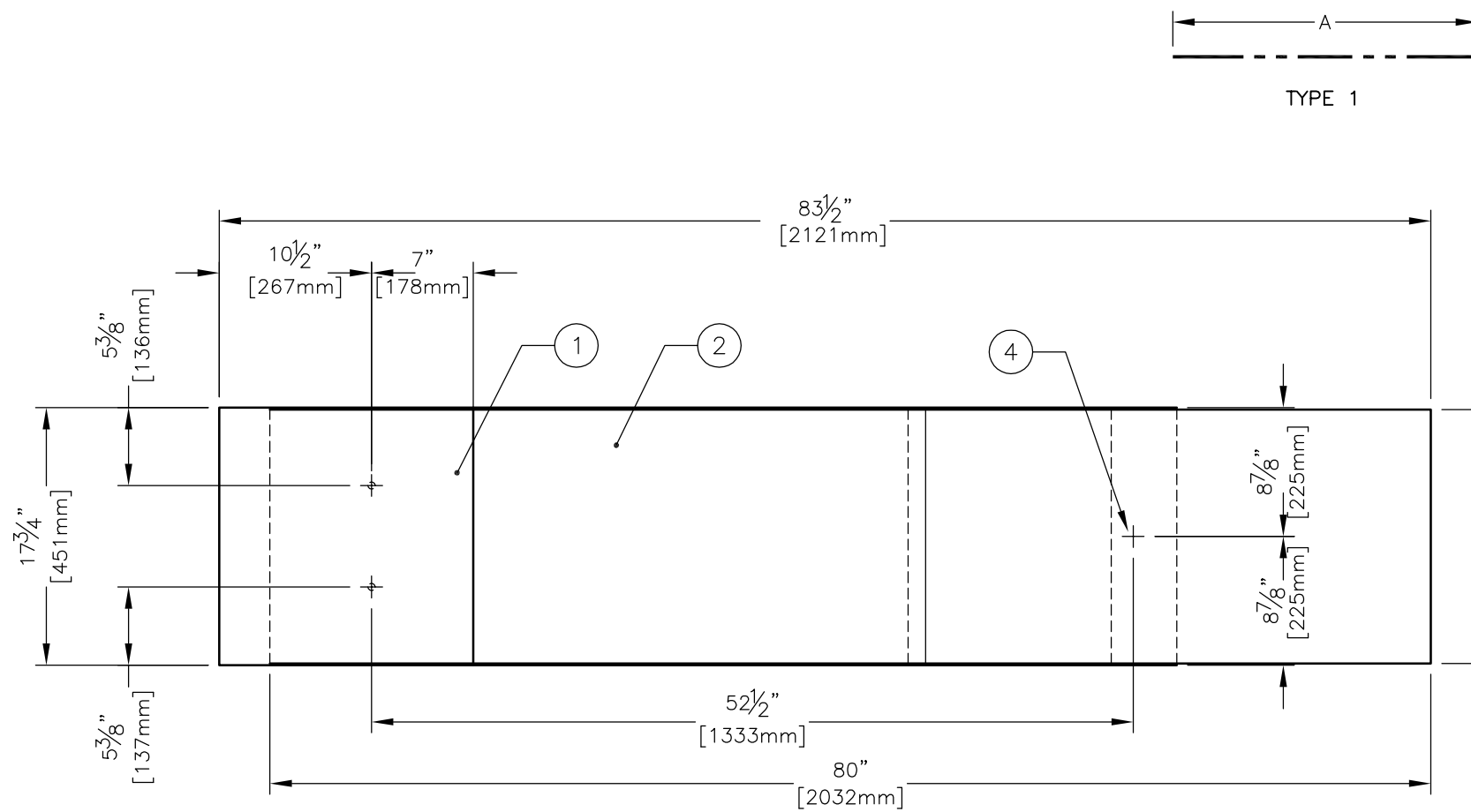


CONCRETE & ACCESSORIES

ITEM	PART NUMBER	DESCRIPTION	QUANTITY	WEIGHT (Lbs)
1	118543	ONE40TWO BENCH CONCRETE SUPPORT	1	560.44
2	134415	LAMINATED CEDAR BENCH SLAB - 3-1/2" x 18" x 80"	1	168.00
3	123668	BOLT - 3/8"-16 x 4 1/2"	2	-
4	100788	ROD THREADED - 3/8"	3"	-



REV.	DESCRIPTION	DATE	BY
0	ISSUED FOR PRODUCTION	07/31/2017	RE

barkman™
 152 Brandt Street, Steinbach, MB R5G 0R2
 T (204) 326 3445 or 1 800 461 2278 F (204) 326 5915
 barkmanconcrete.com

THE INFORMATION CONTAINED IN THIS DRAWING IS THE SOLE PROPERTY OF BARKMAN CONCRETE LTD. ANY REPRODUCTION IN PART OR AS A WHOLE WITHOUT THE WRITTEN PERMISSION OF BARKMAN CONCRETE LTD. IS PROHIBITED.

CUSTOMER
barkman

PROJECT
SITE FURNISHING

TITLE
ONE40TWO BENCH WITH CEDAR

PART NUMBER
134416

DRAWN BY	RE	DATE	07/31/2017
CHECKED BY	AT	DATE	07/31/2017
WEIGHT (lbs)	SCALE	PAPER SIZE	SHT NO.
728.44	N.T.S.	11 X 17 (B)	1

INITIALS
MM/DD/YYYY

REV. #
0