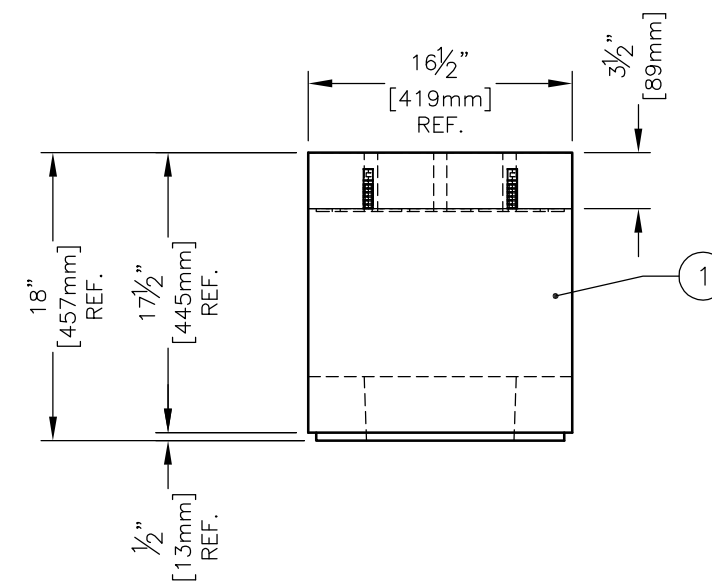
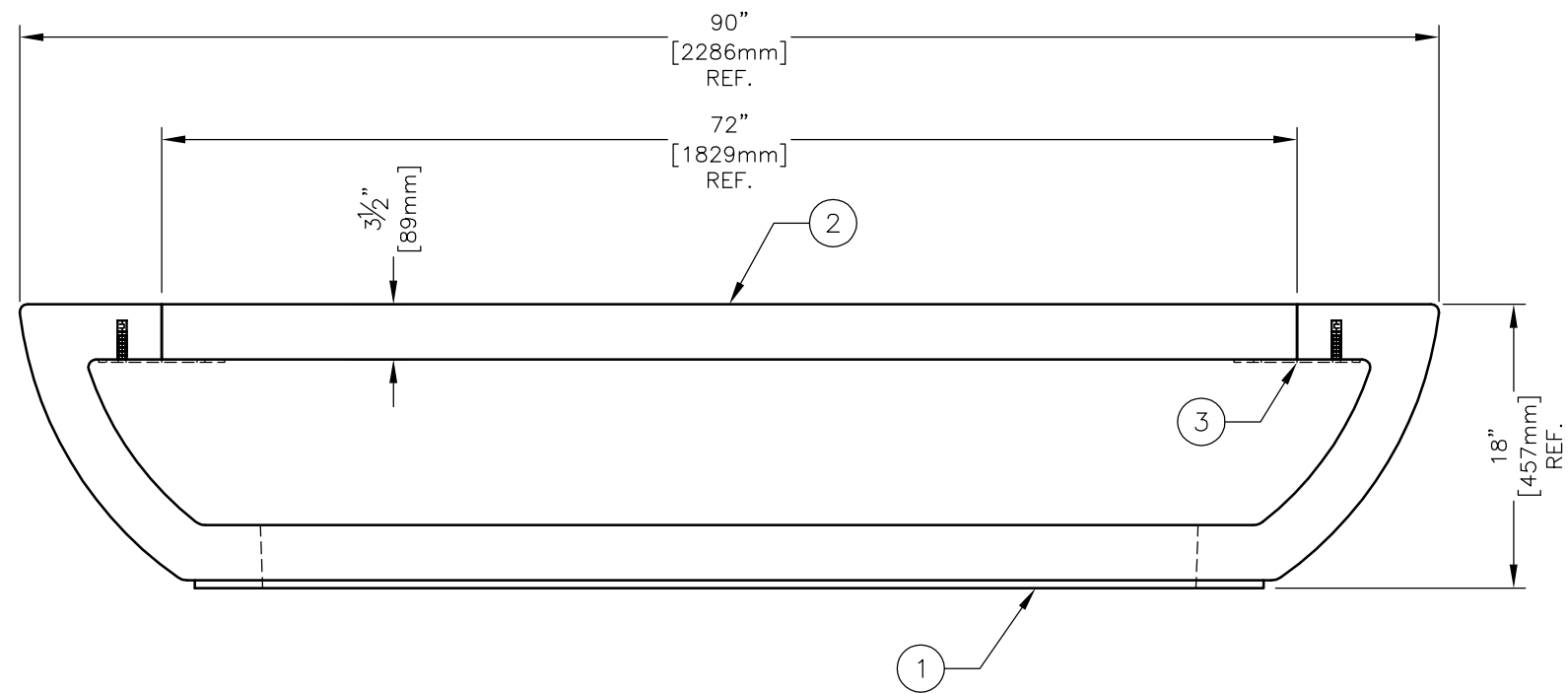
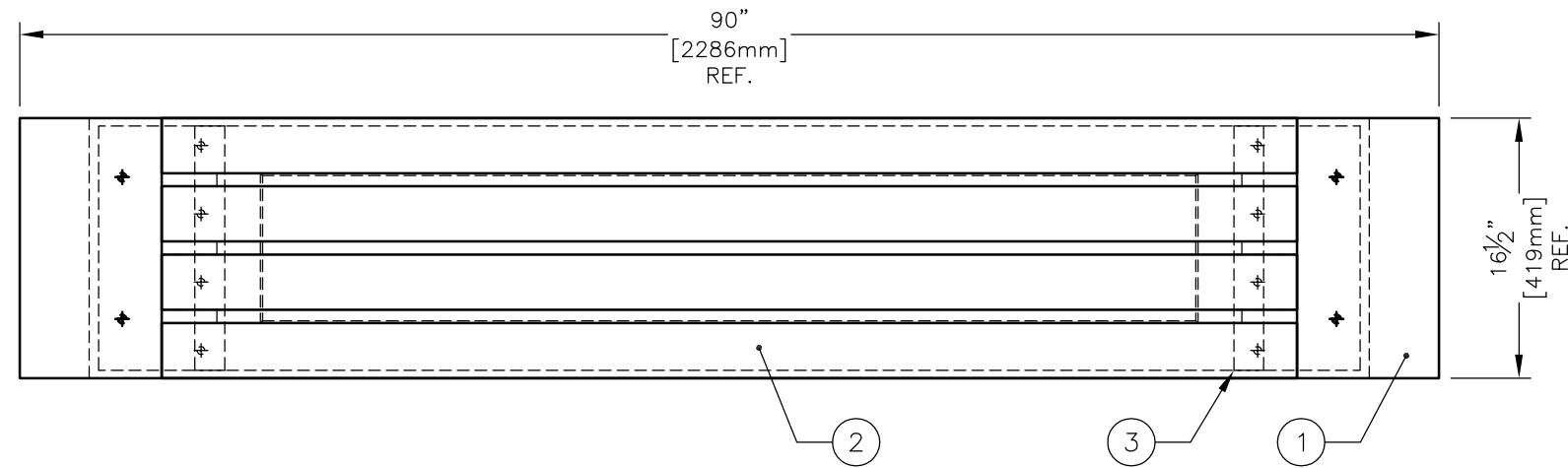


CONCRETE & ACCESSORIES

ITEM	PART NUMBER	DESCRIPTION	QUANTITY	WEIGHT (Lbs)
1	133816	CURVED BENCH SUPPORT	1	418.48
2	134704	4" x 4" x 72" CEDAR PLANKS	4	116.00
3	134611	PLATE - 8" X 15 1/2" X 3/16"	2	13.20



REV.	DESCRIPTION	DATE	BY
0	ISSUED FOR PRODUCTION	09/06/2017	CU

152 Brandt Street, Steinbach, MB R5G 0R2
T (204) 326 3445 or 1 800 461 2278 F (204) 326 5915
barkmanconcrete.com

THE INFORMATION CONTAINED IN THIS DRAWING IS THE SOLE PROPERTY OF BARKMAN CONCRETE LTD. ANY REPRODUCTION IN PART OR AS A WHOLE WITHOUT THE WRITTEN PERMISSION OF BARKMAN CONCRETE LTD. IS PROHIBITED.

CUSTOMER
barkman

PROJECT
SITE FURNISHINGS

TITLE
CURVED BENCH W/ CEDAR PLANKS
90" x 16 1/2" x 18"

PART NUMBER
133821

DRAWN BY	CU	DATE	09/06/2017
CHECKED BY	AR	DATE	09/11/2017
WEIGHT (lbs)	SCALE	PAPER SIZE	SHT NO.
547.48	N.T.S.	11 X 17 (B)	1
			REV. # 0