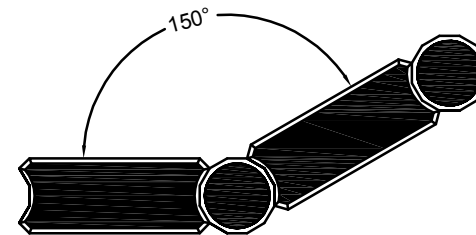
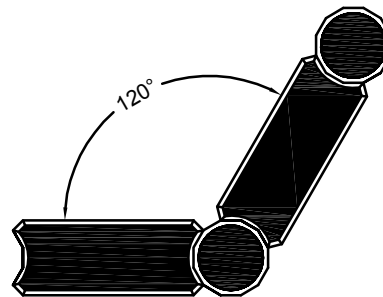
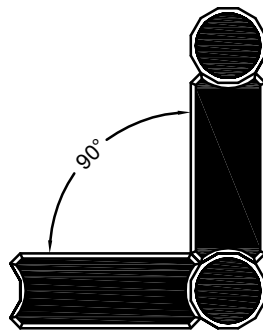
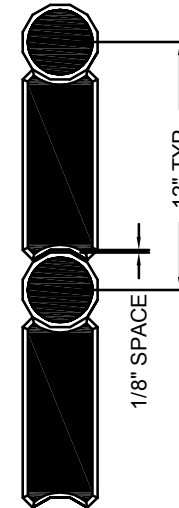
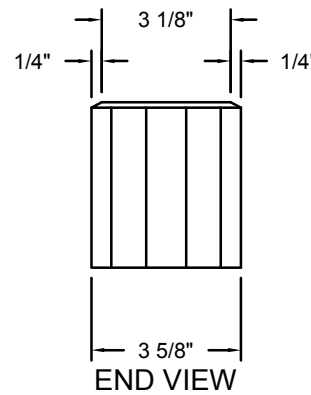
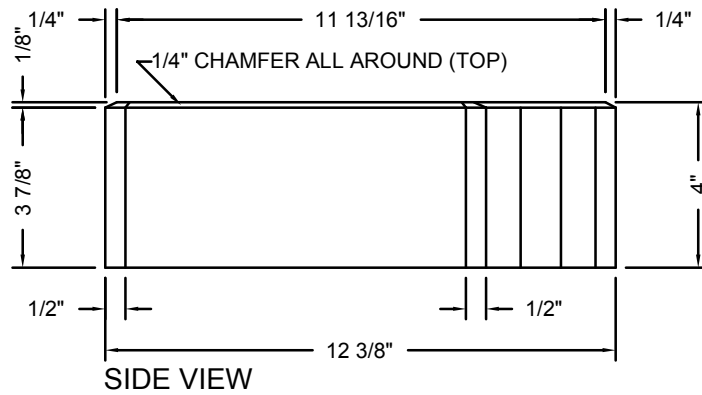


i-CON EDGER

N.T.S.

APPROXIMATE WEIGHT OF PRODUCT = 15 lbs.



ANGLE VARIATIONS

<p>152 Brandt Street, Steinbach, MB R5G 0R2 T (204) 326 3445 or 1 800 461 2278 F (204) 326 5915 barkmanconcrete.com</p>	CUSTOMER		PART NUMBER							
	barkman STD PRODUCT		-							
	PROJECT									
	I-CON EDGER									
<p>THE INFORMATION CONTAINED IN THIS DRAWING IS THE SOLE PROPERTY OF BARKMAN CONCRETE LTD. ANY REPRODUCTION IN PART OR AS A WHOLE WITHOUT THE WRITTEN PERMISSION OF BARKMAN CONCRETE LTD. IS PROHIBITED.</p>	TITLE		DRAWN BY		INITIALS		MM/DD/YYYY			
	PRODUCT DETAILS		DP		DATE		05/30/2013			
			CHECKED BY		DATE					
			WEIGHT (lbs)		SCALE		PAPER SIZE		SHT NO.	REV. #
			N.T.S.		8 1/2 X 11 (A)		1	0		