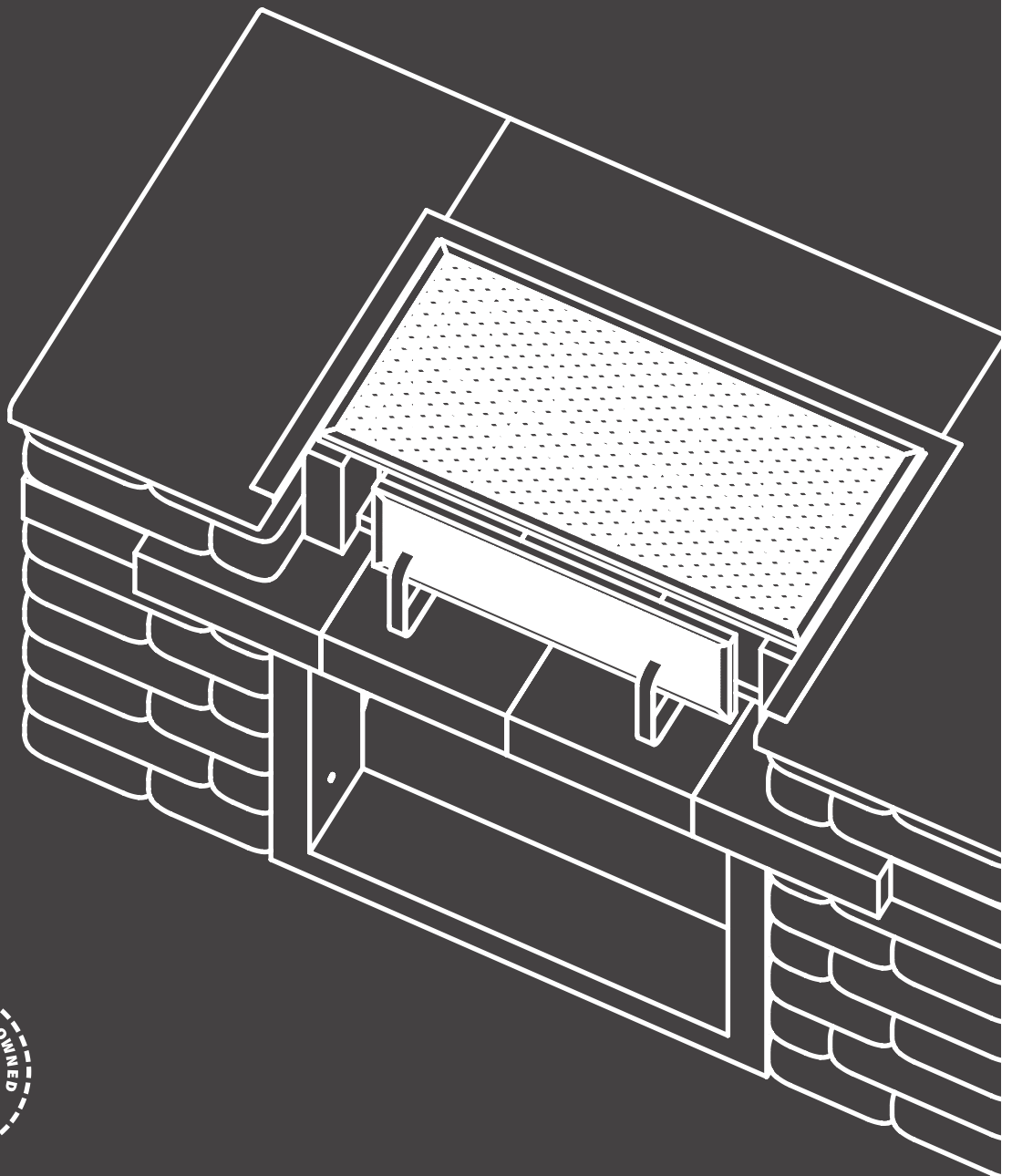


barkman™

Barkman Landscape Kits

Quarry Stone Wood Grill



Materials

This kit measures 64.2" x 31" x 37.5"

MATERIALS INCLUDED:

- 12" x 8" Quarry Stone Sierra Grey – 84 pieces
- 8" x 8" Quarry Stone Sierra Grey – 8 pieces
- 4" x 8" Quarry Stone Sierra Grey – 18 pieces
- 4" x 4" Quarry Stone Sierra Grey – 2 pieces
- 12" x 8" Smooth Quarry Stone Charcoal – 12 pieces
- 4" x 8" Smooth Quarry Stone Charcoal – 2 pieces
- 4.5" x 9" x 2.5" Fire Bricks – 25 pieces
- 4" x 9" x 1.5" Fire Bricks – 3 pieces
- Grill Base Door Frame
- Wood Grill Bridge
- Grill Side Countertop – 2 pieces
- Grill Back Countertop
- Metal Trim
- Wood Grill Assembly
- Wood Grill Spark Arrestor
- Plastic Shims
- Tube of Landscape Glue
- Tube of High Heat Silicone
- Gloves
- Instruction Guide

OTHER ITEMS NEEDED:

- Rubber Mallet
- Caulking Gun
- Measuring Tape/Ruler
- Level



Base Preparation

If installing your Barkman Quarry Stone Wood Grill on an unstructured base, please ensure to follow these steps:

- Excavate area approx. 9 inches below grade.
- Excavate approx. 6 inches larger than your actual kit dimensions to ensure a stable base.
- Fill with ¾ inch down limestone and compact firmly.
- Level out ½ inch of sand and install kit as per the instruction guide.

If you are installing on a solid base such as an existing patio, base prep is not necessary. Please proceed to the first step.

These instructions may not refer to all base conditions. As this kit is incredibly heavy, base prep will greatly depend on existing ground conditions and may require alternate techniques.

Note: This manual was updated in January 2020. For manual updates, check www.barkmanconcrete.com/resources

Read Prior to Installation

IMPORTANT:

1. The consumer is responsible for reviewing the local regulations pertaining to the installation and use of this product. Please confirm that use of this product is in compliance with the by-laws, regulations, building codes and laws of your jurisdiction before using.
2. Make sure that you locate your respective gas lines, wires, water

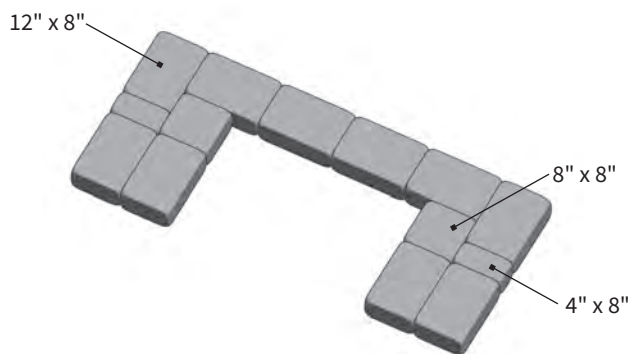
- pipes, and/or any above ground and underground services in your area and install your Barkman Quarry Stone Wood Grill in the proper distance away from them. Check with your provider for location and distance requirements prior to installation.
3. Check with your insurance provider concerning the installation, use, value implications and/or any other

considerations in regard to your Barkman Quarry Stone Wood Grill kit.

Instructions

1

- A** Lay down the first layer as shown in the diagram.
- B** Check that stones are level at every step. Use included shims for adjustments.

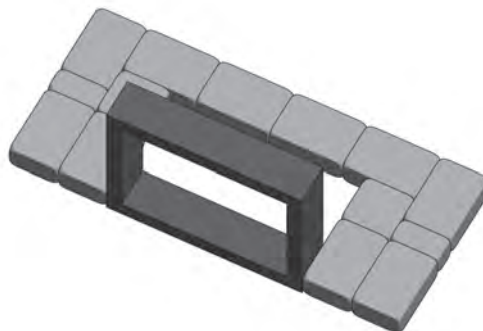


USE:

- (10) 12 x 8 Sierra Grey blocks
- (2) 8 x 8 Sierra Grey blocks
- (2) 4 x 8 Sierra Grey blocks

2

- A** Place Grill Base Door Frame in and level as shown. Make sure blocks are tight to the sides of the frame.
- B** Glue blocks to the Door Frames (optional).



USE:

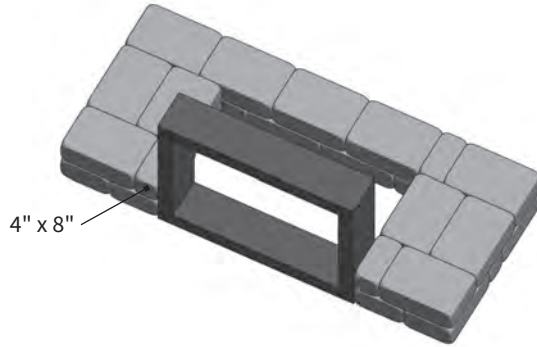
- (1) Grill Base Door Frame

3

- A** Lay down the second layer as shown in the diagram.
- B** Check that stones are level. Use included shims for adjustments.

USE:

- (11) 12 x 8 Sierra Grey blocks
- (3) 4 x 8 Sierra Grey blocks

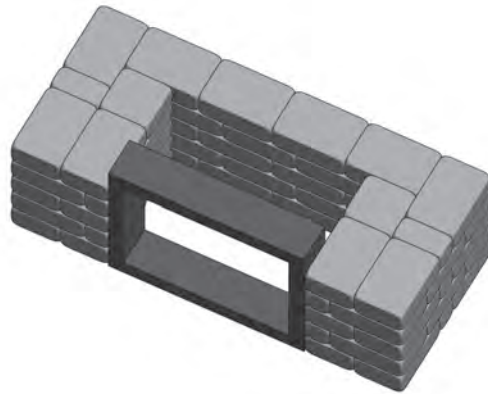


4

- A** Repeat the pattern from Step 1 and Step 3, alternating to create 5 layers total.
- B** Check that stones are level. Use included shims for adjustments.

USE:

- (31) 12 x 8 Sierra Grey blocks
- (4) 8 x 8 Sierra Grey blocks
- (7) 4 x 8 Sierra Grey blocks

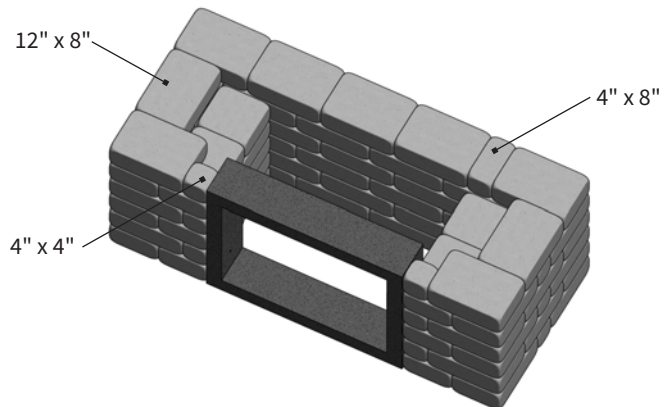


5

- A** Lay down the sixth layer as shown in the diagram.
- B** Place 4" x 4" Sierra Grey blocks on the sides of the Door Frame and make sure to glue in place.

USE:

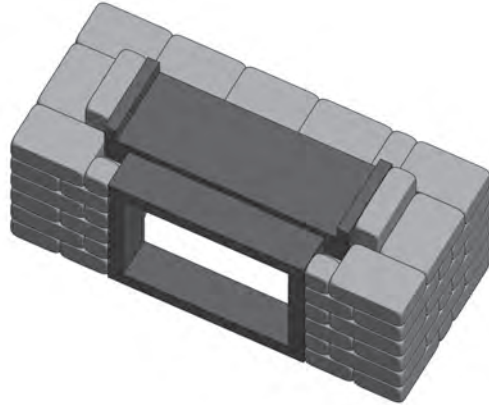
- (9) 12 x 8 Sierra Grey blocks
- (1) 4 x 8 Sierra Grey blocks
- (2) 4 x 4 Sierra Grey blocks



6

- A** Place Wood Grill Bridge as shown in the diagram.
- B** The Wood Grill Bridge is 210 lbs. and is heavy to lift. Ensure that 2-3 people lift it and protect your fingers while putting the item in place.

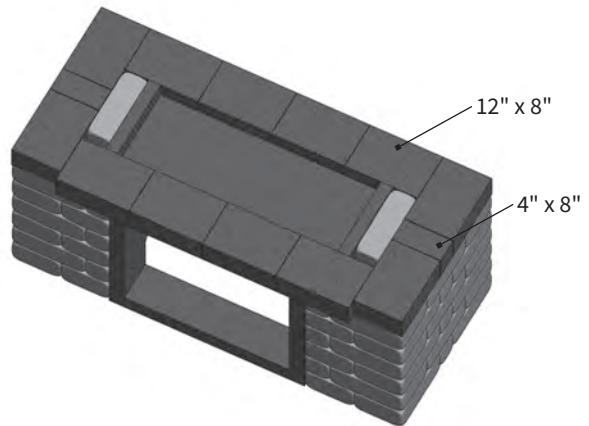
USE:
(1) Wood Grill Bridge
(2) 12 x 8 Sierra Grey blocks



7

- A** Place the Charcoal block layer as shown in the diagram.
- B** Make to glue them in place.

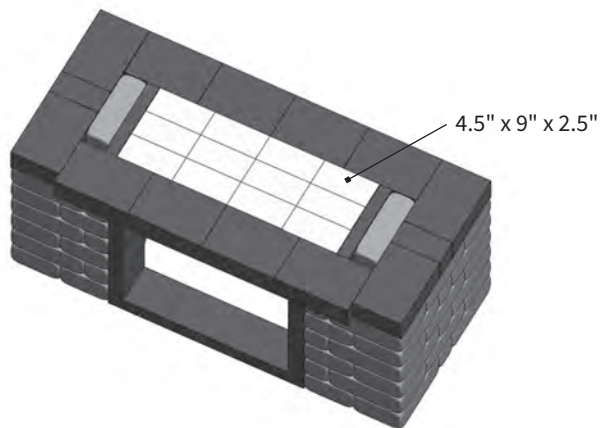
USE:
(12) 12 x 8 Charcoal blocks
(2) 4 x 8 Charcoal blocks



8

- A** Place the Firebrick as shown in the diagram.

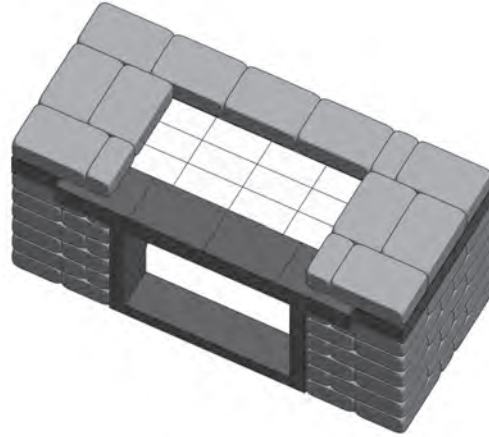
USE:
(12) 4.5 x 9 x 2.5 Fire Bricks



9

- A** Place the eighth layer using Sierra Grey blocks as shown.
- B** Check that stones are level. Use included shims for adjustments.

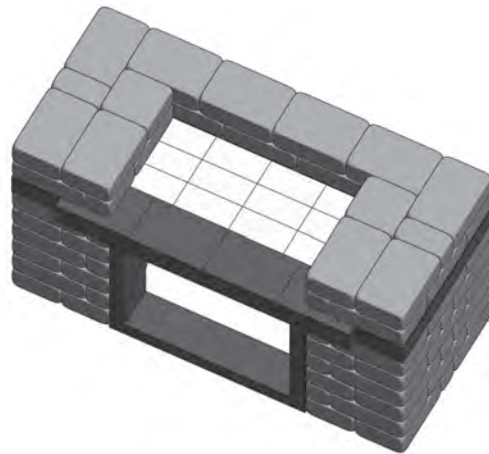
USE:
(11) 12 x 8 Sierra Grey blocks
(3) 8 x 8 Sierra Grey blocks



10

- A** Place the ninth layer using Sierra Grey blocks as shown.
- B** Check that stones are level. Use included shims for adjustments.

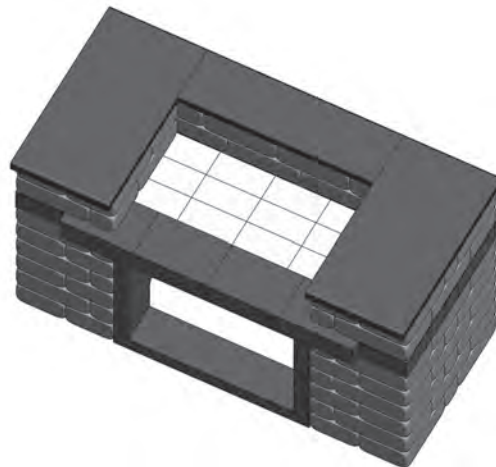
USE:
(10) 12 x 8 Sierra Grey blocks
(2) 8 x 8 Sierra Grey blocks
(2) 4 x 8 Sierra Grey blocks



11

- A** Place the three countertops as shown in the diagram.
- B** Gently center and shim the countertop so they are flushed and level.
- C** Glue countertops in place.

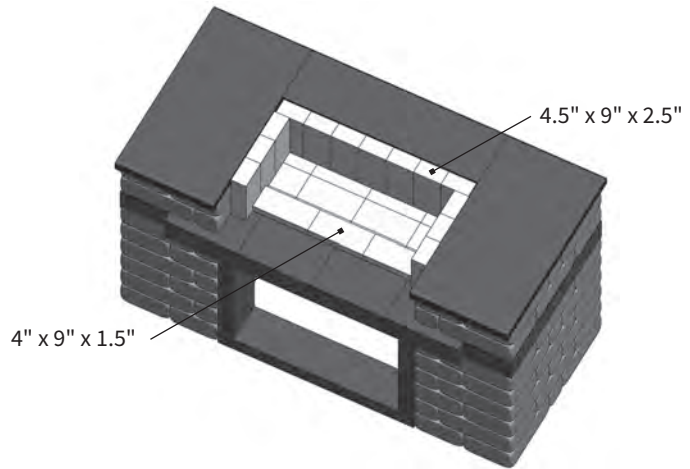
USE:
(2) Grill Side Countertop
(1) Grill Back Countertop



12

- A** Insert Fire Brick as shown in the diagram.
- B** Put silicone to seal it in place. (Optional)

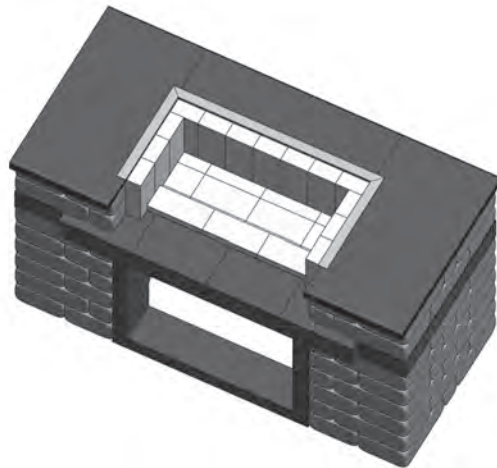
USE:
(13) 4.5 x 9 x 2.5 Fire Bricks
(3) 4 x 9 x 1.5 Fire Bricks



13

- A** Add trim to each side as shown in the diagram.

USE:
(1) Metal Liner



14

- A** Place Wood Grill Assembly as shown in the diagram.

USE:
(1) Wood Grill Assembly



15

A Add Wood Grill Spark Arrestor as shown in the diagram.

USE:

(1) Wood Grill Spark Arrestor



barkman™

STEINBACH OFFICE

152 Brandt Street,
Steinbach, MB R5G 0R2
T 204 326 3445 or 1 800 461 2278
F 204 326 5915
Steinbach@BarkmanConcrete.com

WINNIPEG OFFICE

901 Gateway Road,
Winnipeg, MB R2K 3L1
T 204 667 3310 or 1 800 342 2879
F 204 663 4854
Winnipeg@BarkmanConcrete.com

CALGARY OFFICE

813 McCool Street, Box 1136,
Crossfield, AB T0M 0S0
T 403 946 4630 F 403 946 4631
Calgary@BarkmanConcrete.com

VANCOUVER OFFICE

2104-290 Newport Drive,
Port Moody, BC V3H 5N2
T 778 689 7670 or 1 800 461 2278
F 604 949 0321
Vancouver@BarkmanConcrete.com

SASKATOON DISTRIBUTION CENTER

3550 Idylwyld Drive North,
Saskatoon, SK S7L 6G3
T 1 306 549 7544

KELOWNA DISTRIBUTION CENTER

1904 Old Okanagan Highway,
Westbank, BC V4T 1T8
T 1 204 346 9490

SURREY DISTRIBUTION CENTER

8157 132nd Street,
Surrey, BC V3W 4N5
T 1 204 346 9490

BARKMAN CONCRETE LIMITED

BarkmanConcrete.com

