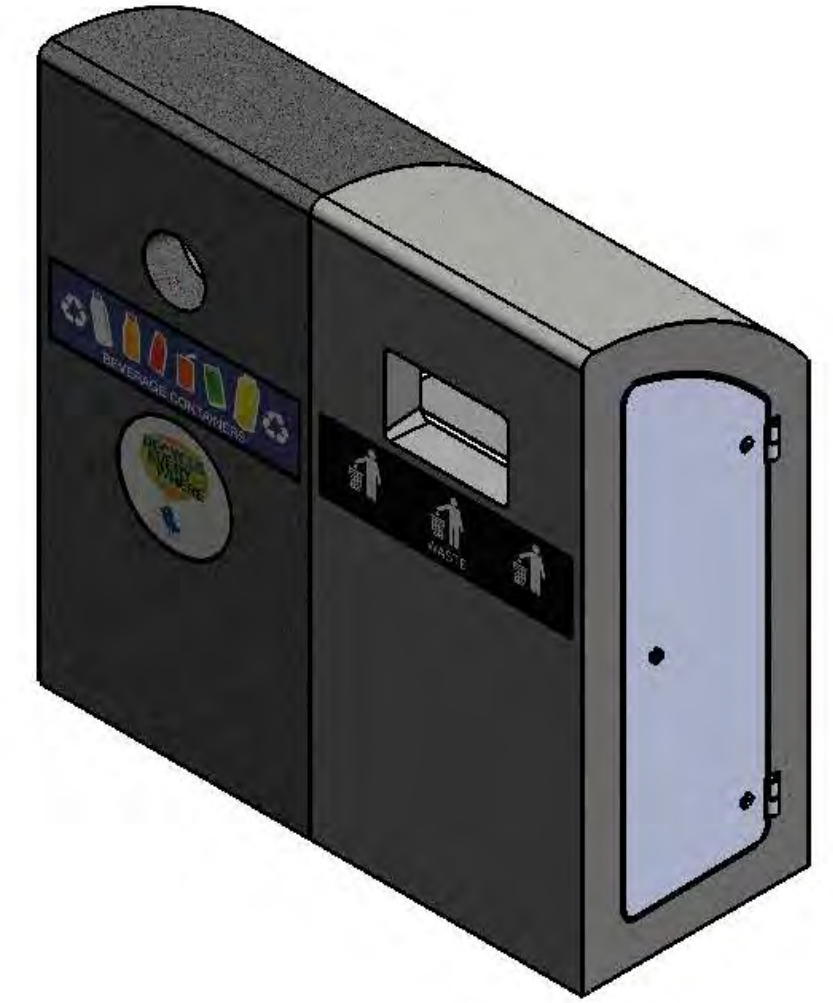
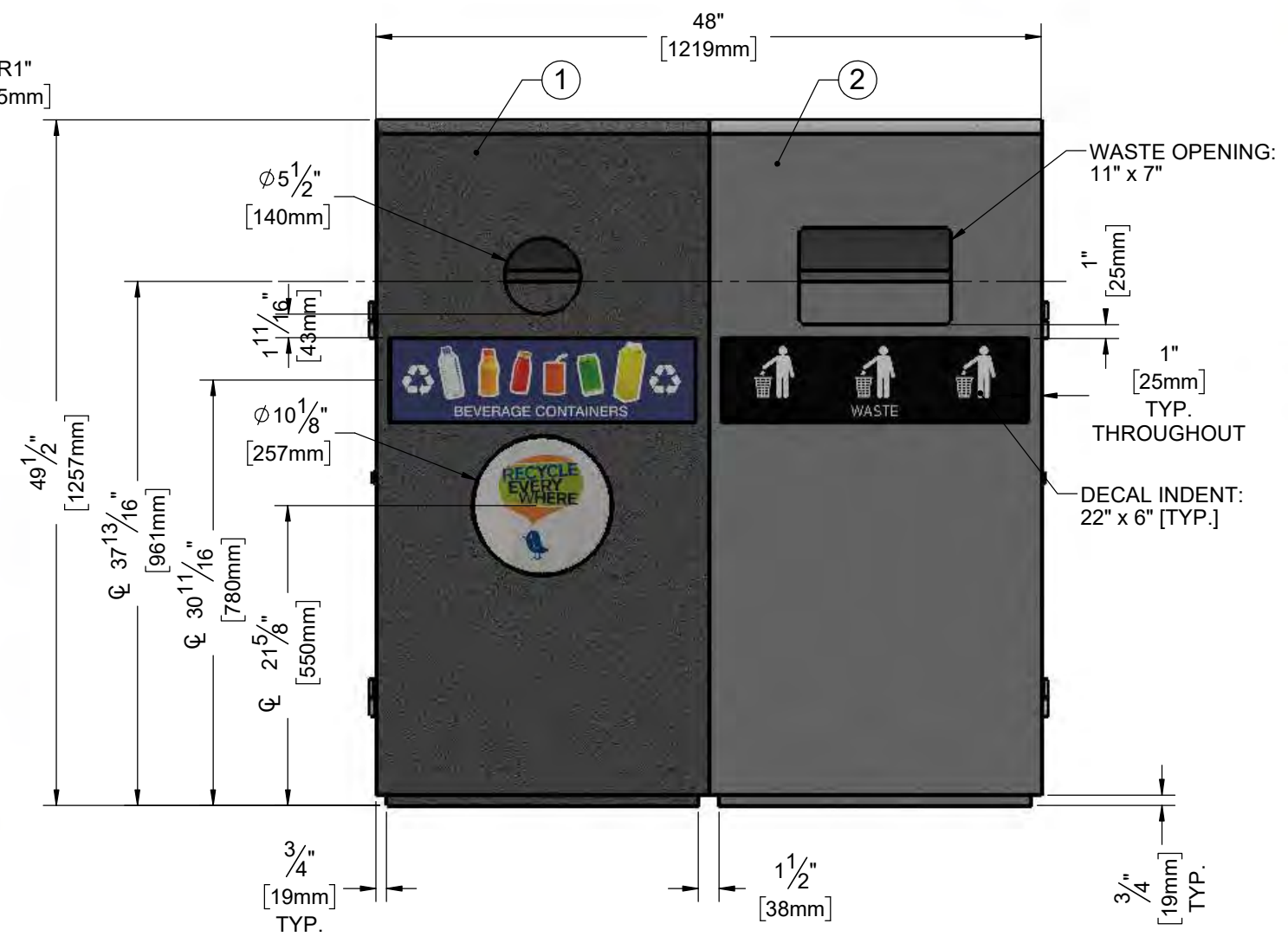
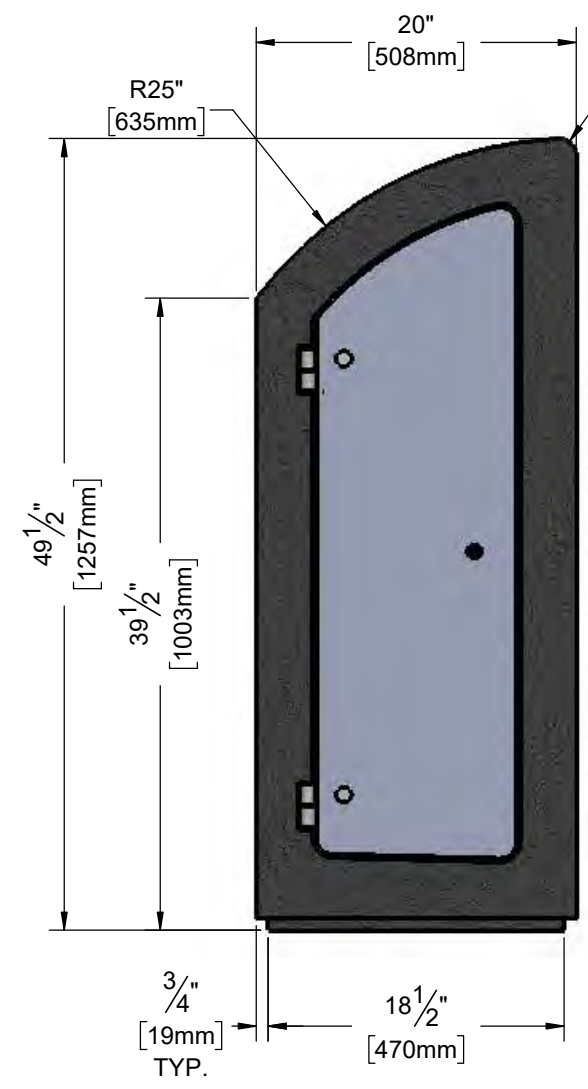


BILL OF MATERIALS				
ITEM	PART #	DESCRIPTION	WT. (lbs)	WT. (kg)
1	RECYCLE CONTAINER	CAST RECYCLE CONTAINER	859.78	389.92
2	CAST WASTE CONTAINER	CAST WASTE CONTAINER	843.8	382.68



THE INFORMATION CONTAINED IN THIS DRAWING IS THE SOLE PROPERTY OF BARKMAN CONCRETE LTD. ANY REPRODUCTION IN PART OR AS A WHOLE WITHOUT THE WRITTEN PERMISSION OF BARKMAN CONCRETE LTD. IS PROHIBITED.



DESCRIPTION			
CAST WASTE CONTAINER COMBO			
	INITIALS		MM/DD/YYYY
DRAWN BY	BD	DATE	11/28/2019
CHECKED BY	BD	DATE	11/28/2019

PART NUMBER				
CAST WASTE CONTAINER COMBO				
WEIGHT (lbs)	FINISH	PAPER SIZE	SHT NO.	REV. #
1703.58		11 x 17 (B)	1	00