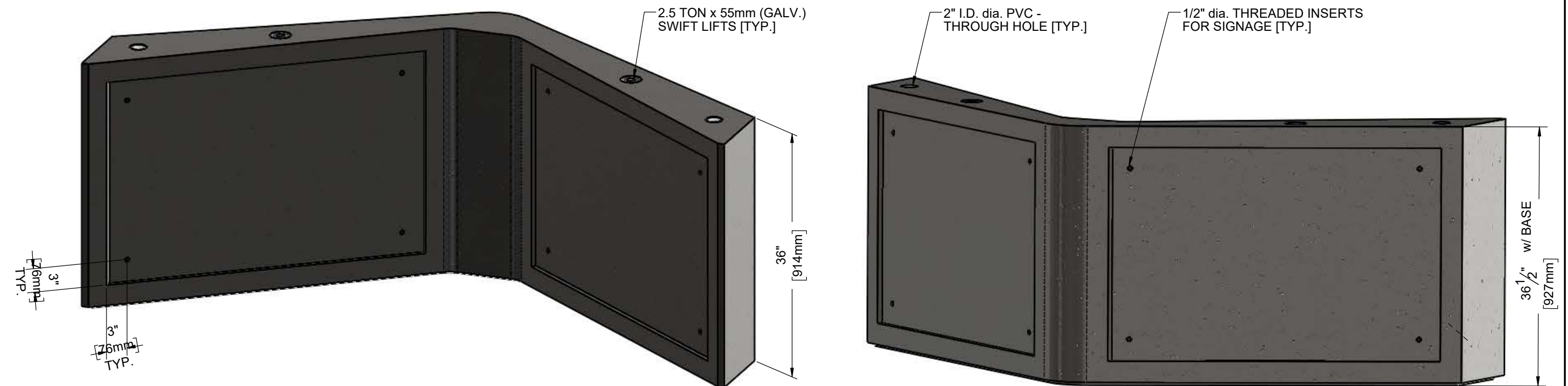
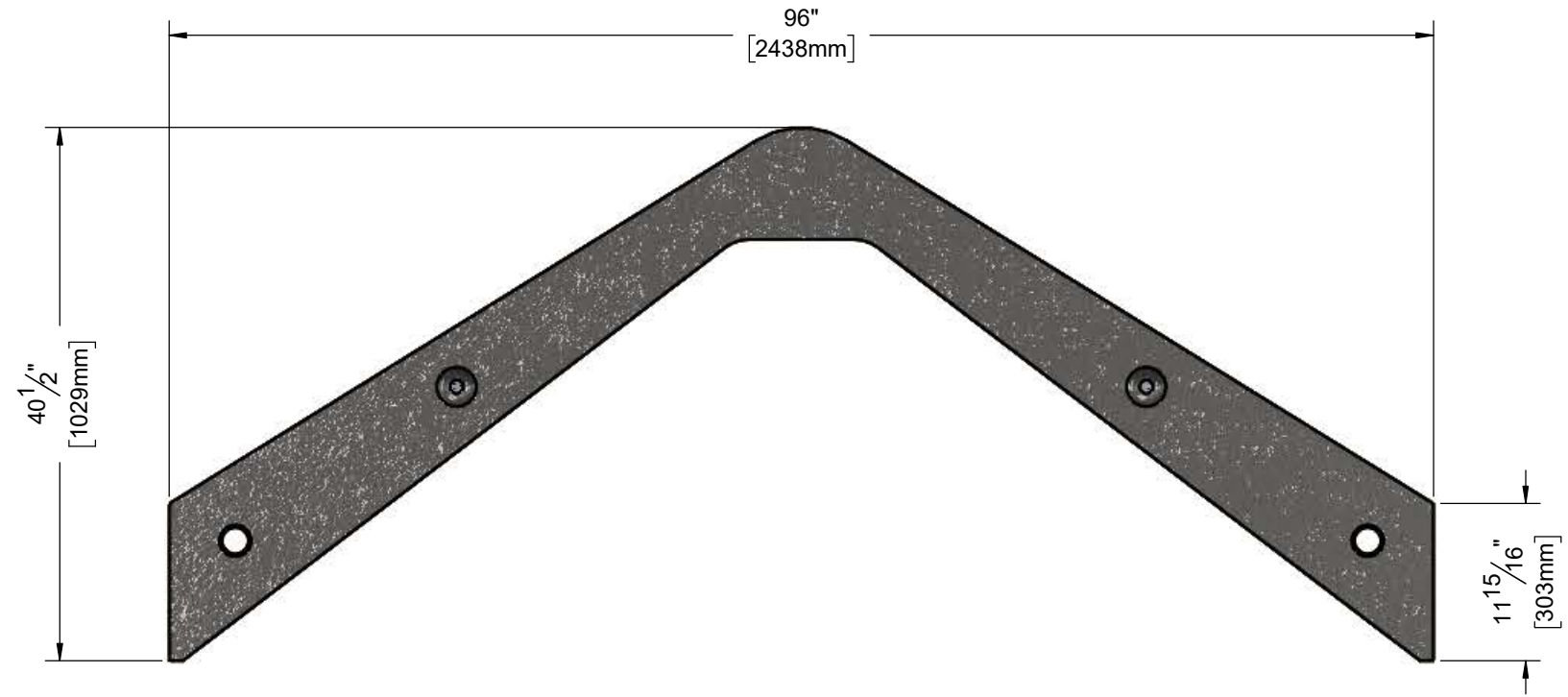


GENERAL NOTES:

- SIGNAGE AREA: 46 1/2" x 30"
- 1/2" THREADED INSERTS CAST-IN TO FASTEN SIGNAGE
- 2" THROUGH HOLE FOR GROUND PIN



<p>THE INFORMATION CONTAINED IN THIS DRAWING IS THE SOLE PROPERTY OF BARKMAN CONCRETE LTD. ANY REPRODUCTION IN PART OR AS A WHOLE WITHOUT THE WRITTEN PERMISSION OF BARKMAN CONCRETE LTD. IS PROHIBITED.</p>	<p>152 Brandt Street, Steinbach, MB R5G 0R2 T (204) 326 3445 or 1 800 461 2278 F (204) 326 5915 barkmanconcrete.com</p>		DESCRIPTION			PART NUMBER				
			EVENT BARRIER - 8' x 3' H			Event Barrier				
			INITIALS	DATE	MM/DD/YYYY	WEIGHT (lbs)	FINISH	PAPER SIZE	SHT NO.	REV. #
DRAWN BY	BD	DATE	7/25/2019	2380.38		11 x 17 (B)	3	00		
CHECKED BY	MN	DATE	7/25/2019							