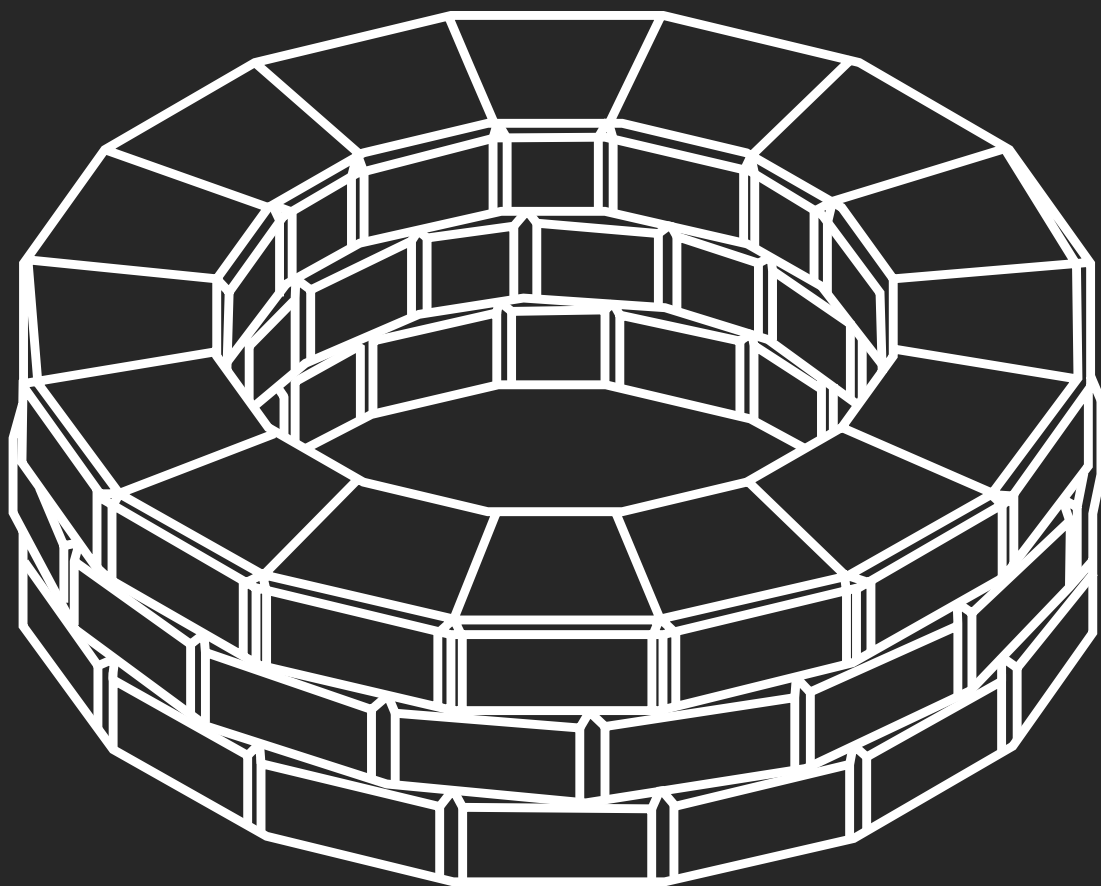


barkman[™]

Barkman Landscape Kits

StackStone[®] Fire Pit



Materials

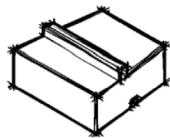
This kit measures 12" x 25" (inside)

MATERIALS INCLUDED:

- Fire Pit Kit
- Gloves
- Instruction Guide

OTHER ITEMS NEEDED:

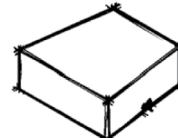
- Measuring Tape/Ruler
- Level



Standard StackStone



Coping



Radius

Base Preparation

For installation on an unstructured base, please follow these steps:

1. Mark out the location for your fire pit. Excavate area approx. 5" below grade.
2. Excavate approx. 6" larger than your actual kit dimensions to ensure a stable base

3. Fill 4" with 3/4" limestone and compact.
4. Level out 1" of sand and install kit as per the instruction guide.

For installation on a solid base such as an existing patio:

1. Once installed, insulate the patio from the fire using all-purpose sand or rock to fill in the fire pit.
2. Base prep and excavation is not necessary. Proceed to Step 1.

Read Prior to Installation

REGULATIONS

1. The consumer is responsible for reviewing the local regulations pertaining to the installation and use of this product. Please confirm that use of this product is in compliance with the by-laws, regulations, building codes and laws of your jurisdiction before using.
2. Locate your respective gas lines, wires, water pipes, and/or any above ground and underground services in your area. Install your Barkman fire pit kit the proper distance away from them. Check with your provider for location and distance

- requirements prior to installation.
3. Check with your insurance provider concerning the installation, use, value implications and/or any other considerations in regard to your fire pit.

LONG TERM USE

1. Barkman wall blocks are not fire-rated and are not covered under the Barkman warranty. It is the customer's responsibility to ensure that the wall blocks are adequately protected. Firebricks or a fire pit liner are

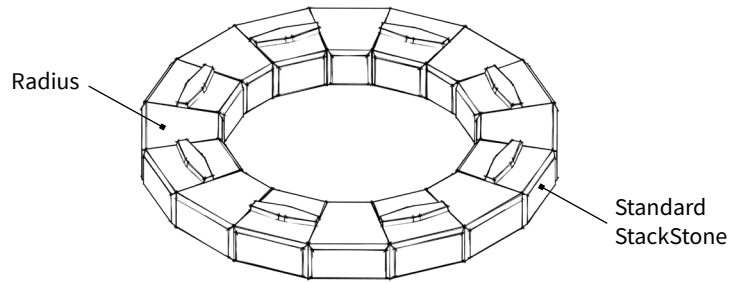
recommended to improve the integrity of the product.

2. Barkman fire pit liners will eventually rust after prolonged fire exposure. An oil-based rust paint spray can be used for added protection or after rust occurs.
3. This fire pit is not suitable for large fires. Do not allow flame to contact the top layer. Fire pits should not be placed directly on concrete as high heat can adversely affect the integrity of the product.

Instructions

1

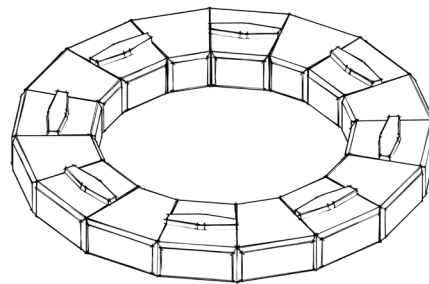
- A** On your selected location, lay out the first layer using pattern A which consists of alternating between the coping StackStone and the standard StackStone to form the circle.
- B** Ensure that this layer is level to allow for a proper installation.



PATTERN A

2

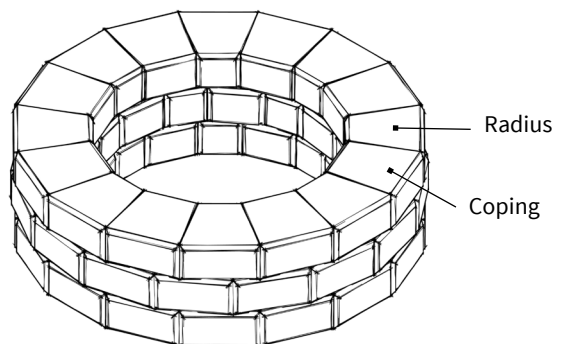
- A** The second layer uses pattern B, which also consists of alternating between the coping StackStone and the standard StackStone. However, the pattern is offset from the previous pattern.



PATTERN B

3

- A** The final layer uses pattern A and consists of alternating between coping StackStone and radius StackStone.



barkman™

STEINBACH OFFICE

152 Brandt Street,
Steinbach, MB R5G 0R2
T 204 326 3445 or 1 800 461 2278
F 204 326 5915
Steinbach@BarkmanConcrete.com

WINNIPEG OFFICE

901 Gateway Road,
Winnipeg, MB R2K 3L1
T 204 667 3310 or 1 800 342 2879
F 204 663 4854
Winnipeg@BarkmanConcrete.com

CALGARY OFFICE

813 McCool Street, Box 1136,
Crossfield, AB T0M 0S0
T 403 946 4630
F 403 946 4631
Calgary@BarkmanConcrete.com

VANCOUVER OFFICE

Port Moody, BC
T 1 800 461 2278
F 604 949 0321
Vancouver@BarkmanConcrete.com

MERRITT OFFICE

1132 Middy Valley Road
Merritt, BC V1K 1M9
T 778 661 1408

SASKATOON DISTRIBUTION CENTER

3550 Idylwyld Drive North,
Saskatoon, SK S7L 6G3
T 1 800 461 2278

BARKMAN CONCRETE LIMITED

BarkmanConcrete.com

