

ROSETTA HARDSCAPES BLOCK LIFTING DEVICE

INSTRUCTIONS FOR USE

The Rosetta Hardscapes Block Lifting Device (Rosetta block lifting device) is intended to be used as an aide to safely set individual Rosetta Hardscapes blocks. It is a below the hook device, used to connect a single Rosetta Hardscapes block to properly rated and installed rigging on construction machinery, such as a backhoe. The maximum working load limit for the block lifting device is 2000 lbs (900 kg). With proper use, inspection, and maintenance, the Rosetta block lifting device should function for several years.



WARNINGS

- Do not exceed the 2000 lb (900 kg) working load limit.
- Do not lift blocks over people.
- Only use to lift Rosetta blocks designed to be used with this device.
- Only lift a single block at a time.
- The Operator shall not ride, or allow others to ride loads or the lifting device.

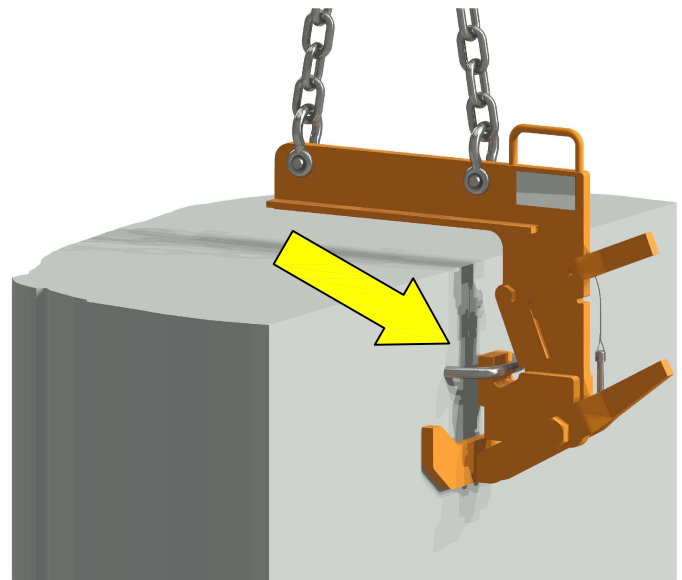
1 Inspect the Rosetta block lifting device for deflection, damage, and wear and do not use if there are signs of deflection, damage, and wear. As a minimum:

- | | |
|---|---|
| <input type="checkbox"/> Inspect paint for signs of overstress. | <input type="checkbox"/> Check that extension plate and safety latch move freely in primary direction but not side-to-side. |
| <input type="checkbox"/> Inspect all welds for cracks or signs of overstress. | <input type="checkbox"/> Check that the extension plate and safety latch do not exhibit signs of excessive uncontrolled movement (slop) or side to side movement. |
| <input type="checkbox"/> Inspect chains and lifting hardware for defects or damage. | <input type="checkbox"/> Check that Rosetta ID tag is attached and undamaged. |
| <input type="checkbox"/> Check that all bolts are present and tight. | |
| <input type="checkbox"/> Check that safety pin is present, functioning and not damaged. | |

2 Review your project safety plan before starting any work.

3 Connect the Rosetta block lifting device to properly rated and installed rigging on the construction equipment.

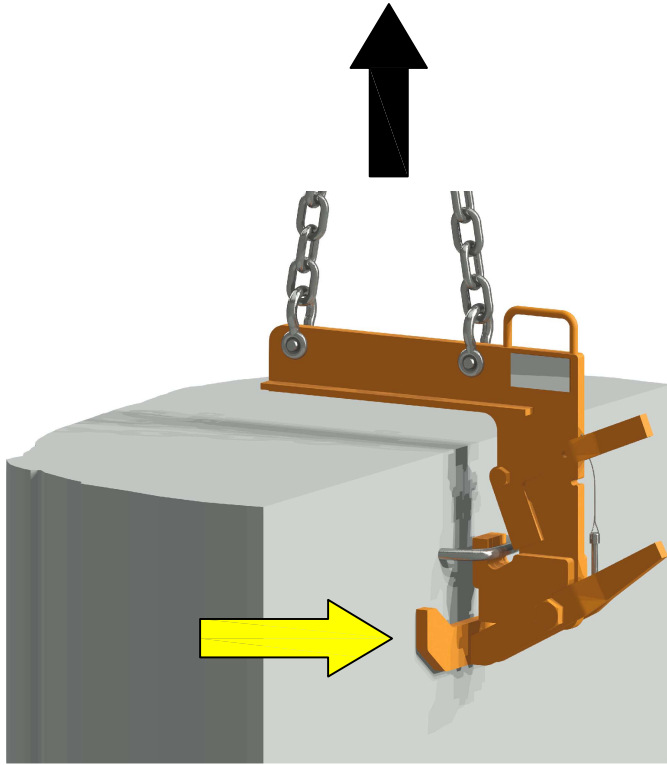
4 Position the lifting device behind a Rosetta Hardscapes block, with the seat under the 18 mm dia. lift hook cast into the block.



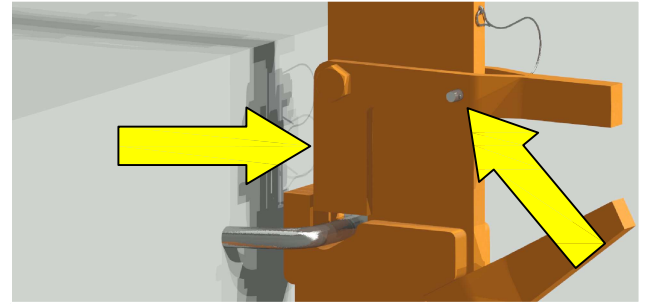
- 5 Raise the block lifting device until the hook and block are properly seated and engaged.



The Rosetta block lifting device has a collapsible bottom plate to assist with positioning and removing the device from blocks, especially those blocks set on the bottom row of a wall. Care must be taken in this step to ensure that the bottom plate is fully extended. If not, lower the Rosetta block lifting device until it moves freely. Re-position with the bottom plate fully extended, and raise the block lifting device to engage the hook and block.



- 6 Check to insure the safety latch is closed and detent pin inserted to secure the safety latch in place.



- 7 Slowly raise the Rosetta block with the construction equipment. Use the construction equipment to move the block to position and set the block. A person may be needed to stand next to the block and gently turn or guide the block into final position.



USE CAUTION WHEN MOVING

- Do not make any sudden movement with the block.
- Do not lift the block over people.
- Do not swing the block on the rigging.
- Keep hands clear of pinch points while setting the block in place.
- Stand clear of the block during the entire lift.
- Never position your feet under the block during the lift.
- Personal Protective equipment should include steel toed safety shoes and/or metatarsal foot protectors.

- 8 When the block is securely placed, lower the Rosetta block lifting device to release it from the block and hook. Carefully move the Rosetta block lifting device with the construction equipment to the next block to be set and repeat steps 4 through 7.

ANNUAL MAINTENANCE

The Rosetta block lifting device must be inspected annually. Welds should be checked with x-ray or magnetic particle inspection. Chains, shackles, etc. must be inspected per OSHA or CSA requirements.

June 18, 2024

WARNING: TO AVOID INJURY OR DEATH FOLLOW THESE STEPS BEFORE EVERY USE:

Review instructions for use, maintenance, and warnings shipped with the device.

Inspect Rosetta lifting device and do not use if there are signs of deflection, damage, and wear. As a minimum:

- Inspect paint for signs of overstress.
 - Inspect chains and lifting hardware for defects or damage.
 - Check that safety pin is present, functioning and not damaged.
 - Check that the extension plate and safety latch do not exhibit signs of excessive uncontrolled (slop) or side to side movement.
 - Inspect all welds for cracks or signs of overstress.
 - Check that all bolts are present and tight.
 - Check that extension plate and safety latch move freely in primary direction but not side-to-side.
 - Check that Rosetta ID tag is attached and undamaged.
- Check that annual maintenance has been performed.
Do not exceed the 2000 lb (900 kg) working load limit.
Only use to lift Rosetta licensed products with proper lifting inserts.
- Do not lift blocks over people.
Only lift a single block at a time.
Do not modify in any way.