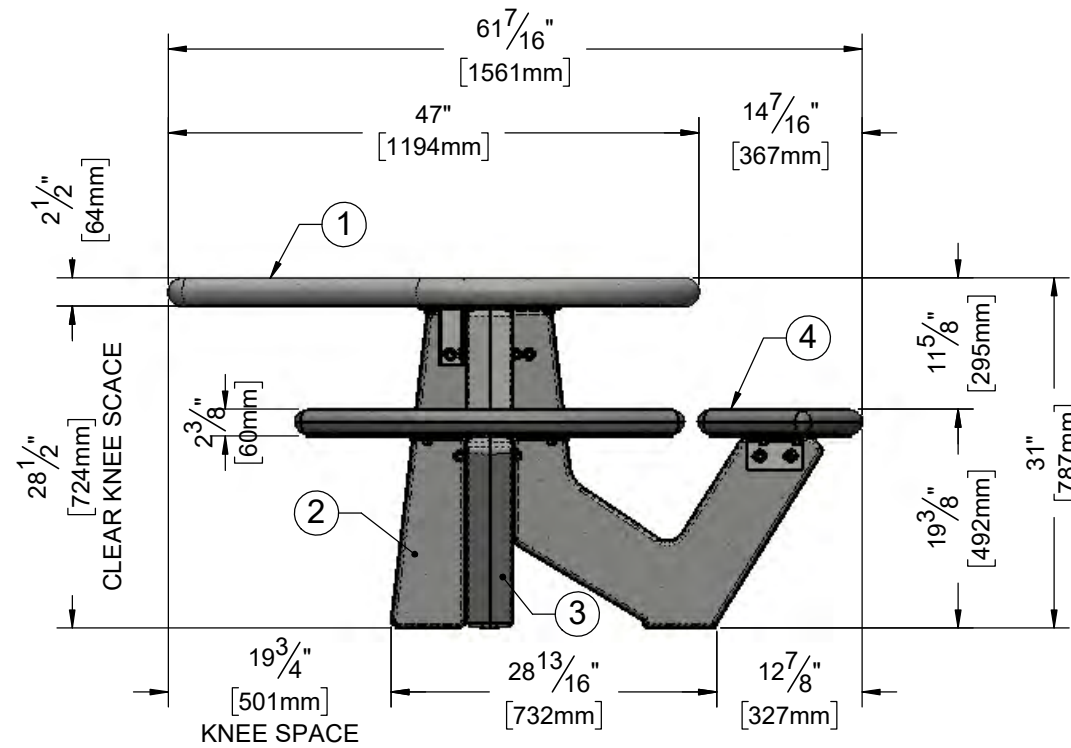
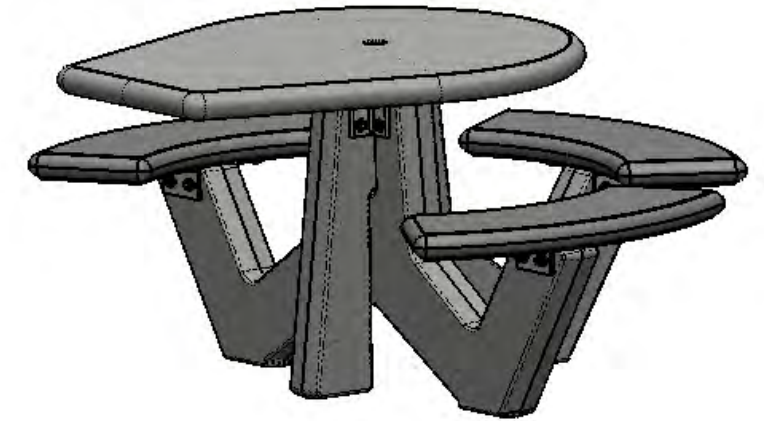
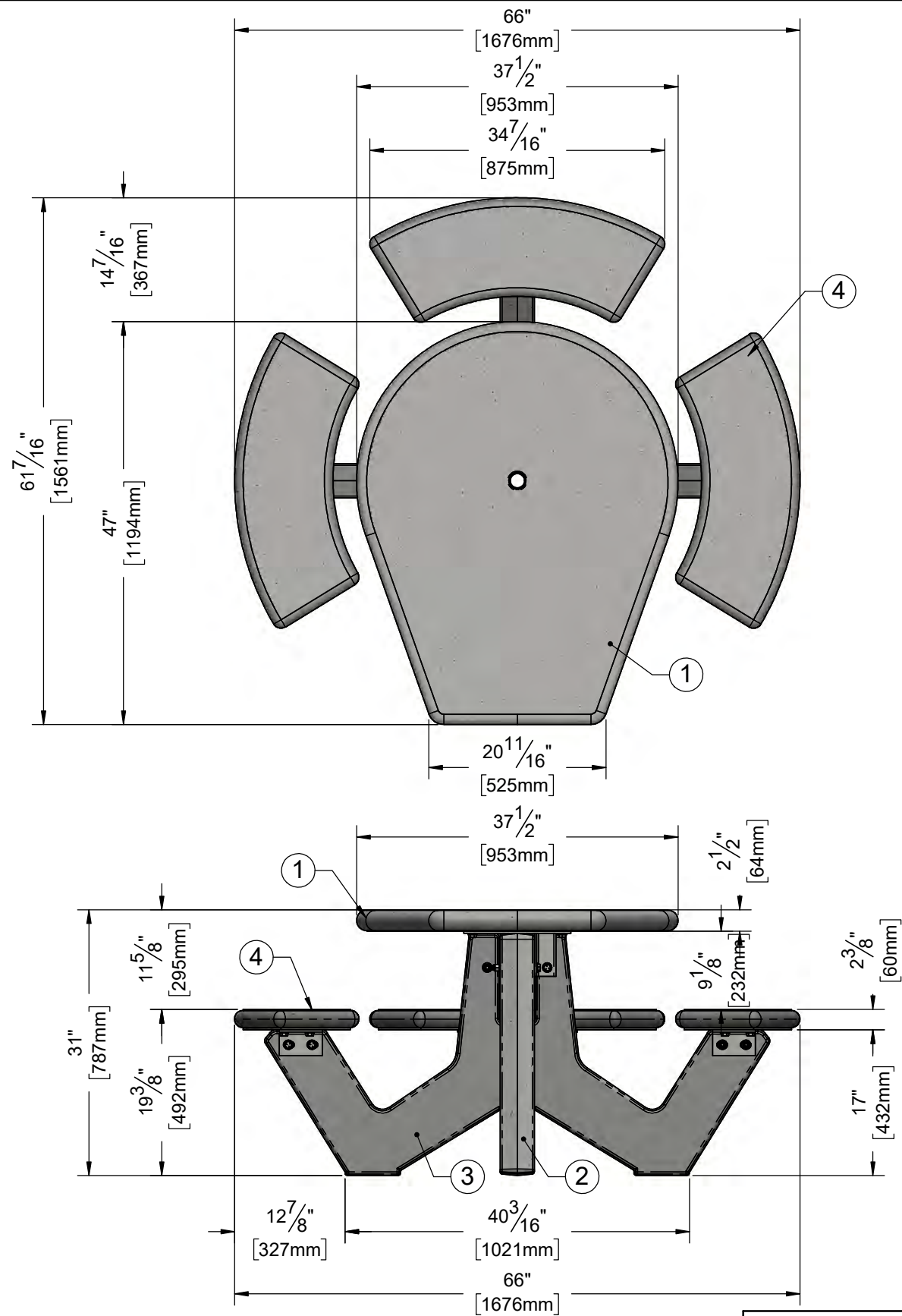


THE INFORMATION CONTAINED IN THIS DRAWING IS THE SOLE PROPERTY OF BARKMAN CONCRETE LTD. ANY REPRODUCTION IN PART OR AS A WHOLE WITHOUT THE WRITTEN PERMISSION OF BARKMAN CONCRETE LTD. IS PROHIBITED.

**barkman**<sup>TM</sup>  
 152 Brandt Street, Steinbach, MB R5G 0R2  
 T (204) 326 3445 or 1 800 461 2278 F (204) 326 5915  
 barkmanconcrete.com

DESCRIPTION			
<b>CAST PATIO TABLE ASSY WHEELCHAIR ACCESS</b>			
	INITIALS	DATE	MM/DD/YYYY
DRAWN BY	BD		3/12/2020
CHECKED BY	BD		3/12/2020

PART NUMBER				
<b>CAST PATIO TABLE WHEELCHAIR ACCESS</b>				
WEIGHT (lbs)	FINISH	PAPER SIZE	SHT NO.	REV. #
911.19		11 x 17 (B)	<b>1</b>	<b>00</b>



THE INFORMATION CONTAINED IN THIS DRAWING IS THE SOLE PROPERTY OF BARKMAN CONCRETE LTD. ANY REPRODUCTION IN PART OR AS A WHOLE WITHOUT THE WRITTEN PERMISSION OF BARKMAN CONCRETE LTD. IS PROHIBITED.



152 Brandt Street, Steinbach, MB R5G 0R2  
 T (204) 326 3445 or 1 800 461 2278 F (204) 326 5915  
 barkmanconcrete.com

DESCRIPTION				PART NUMBER				
<b>CAST PATIO TABLE ASSY WHEELCHAIR ACCESS</b>				<b>CAST PATIO TABLE WHEELCHAIR ACCESS</b>				
	INITIALS		MM/DD/YYYY	WEIGHT (lbs)	FINISH	PAPER SIZE	SHT NO.	REV. #
DRAWN BY	BD	DATE	3/12/2020	911.19		11 x 17 (B)	<b>2</b>	<b>00</b>
CHECKED BY	BD	DATE	3/12/2020					